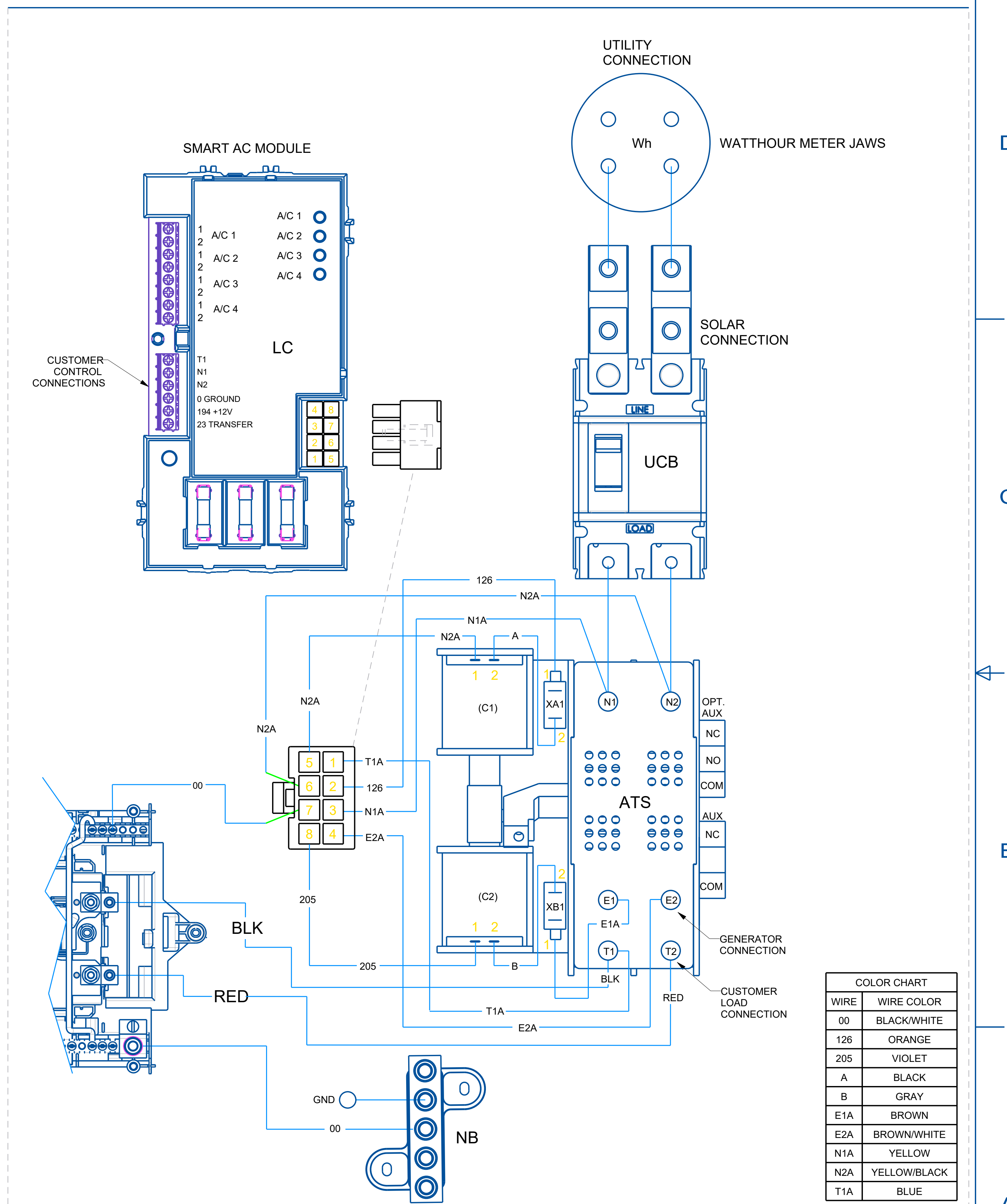
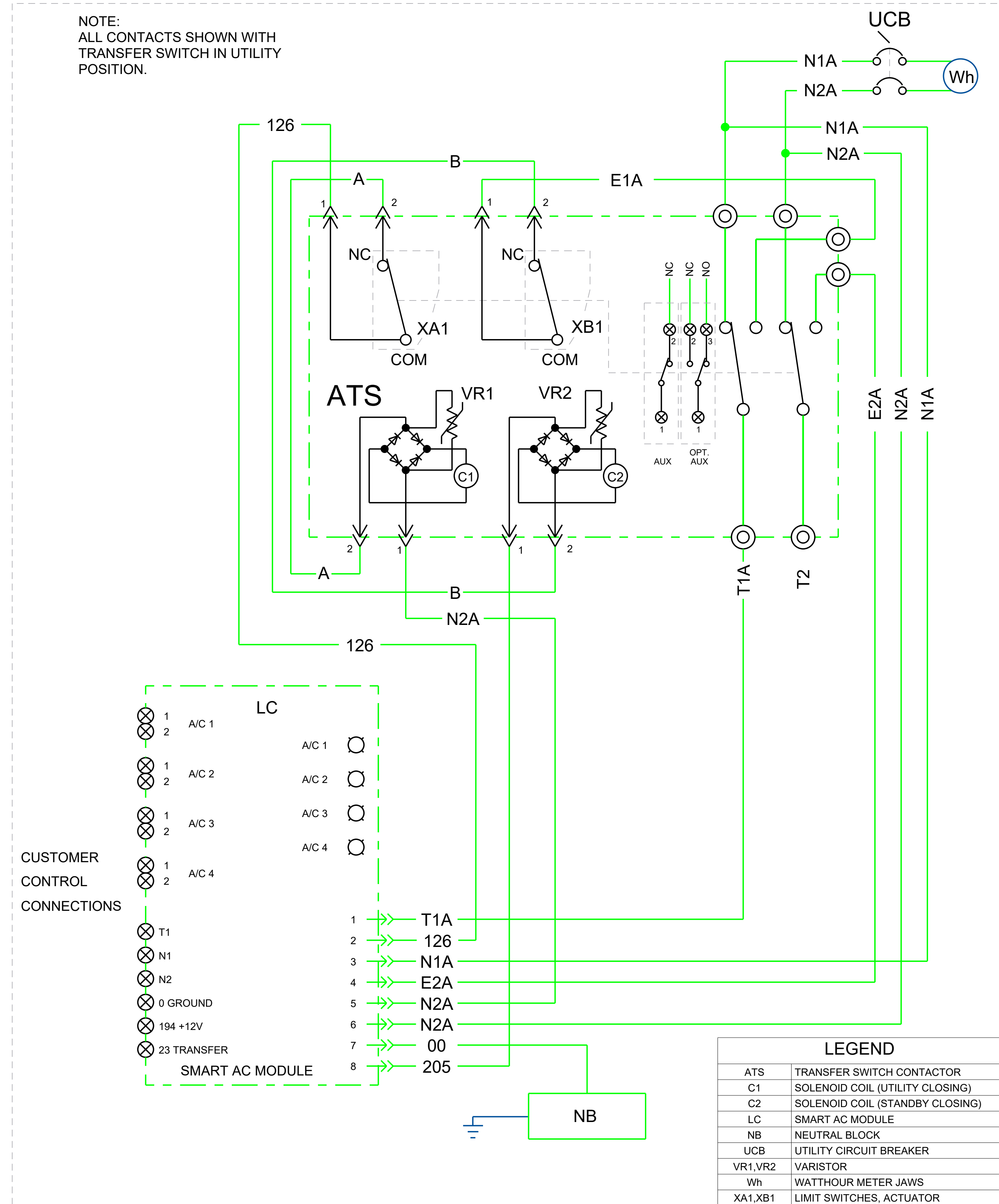


NOTE:
ALL CONTACTS SHOWN WITH
TRANSFER SWITCH IN UTILITY
POSITION.



DRAWING CREATED FROM PROENGINEER
3D FILE. ECO MODIFICATION TO BE
APPLIED TO SOLID MODEL ONLY.

GENERAL TOLERANCES UNLESS NOTED

THIRD ANGLE PROJECTION

GENERAC

TITLE: SD/ WD RXUW200A3

MATERIAL: SEE ABOVE

GENERAC MATL SPECIFICATION AS ABOVE

PAINT SURFACE FINISH AS ABOVE

APPROVALS: JMB DATE: 05/17/2019

DATE: 05/17/2019

ALL APPROVALS ELECTRONICALLY STORED INSIDE WINDCHILL

LIFECYCLE STATE: Production Released (17)

FIRST USE: 2019

SIZE: D

CAGE NO: N/A

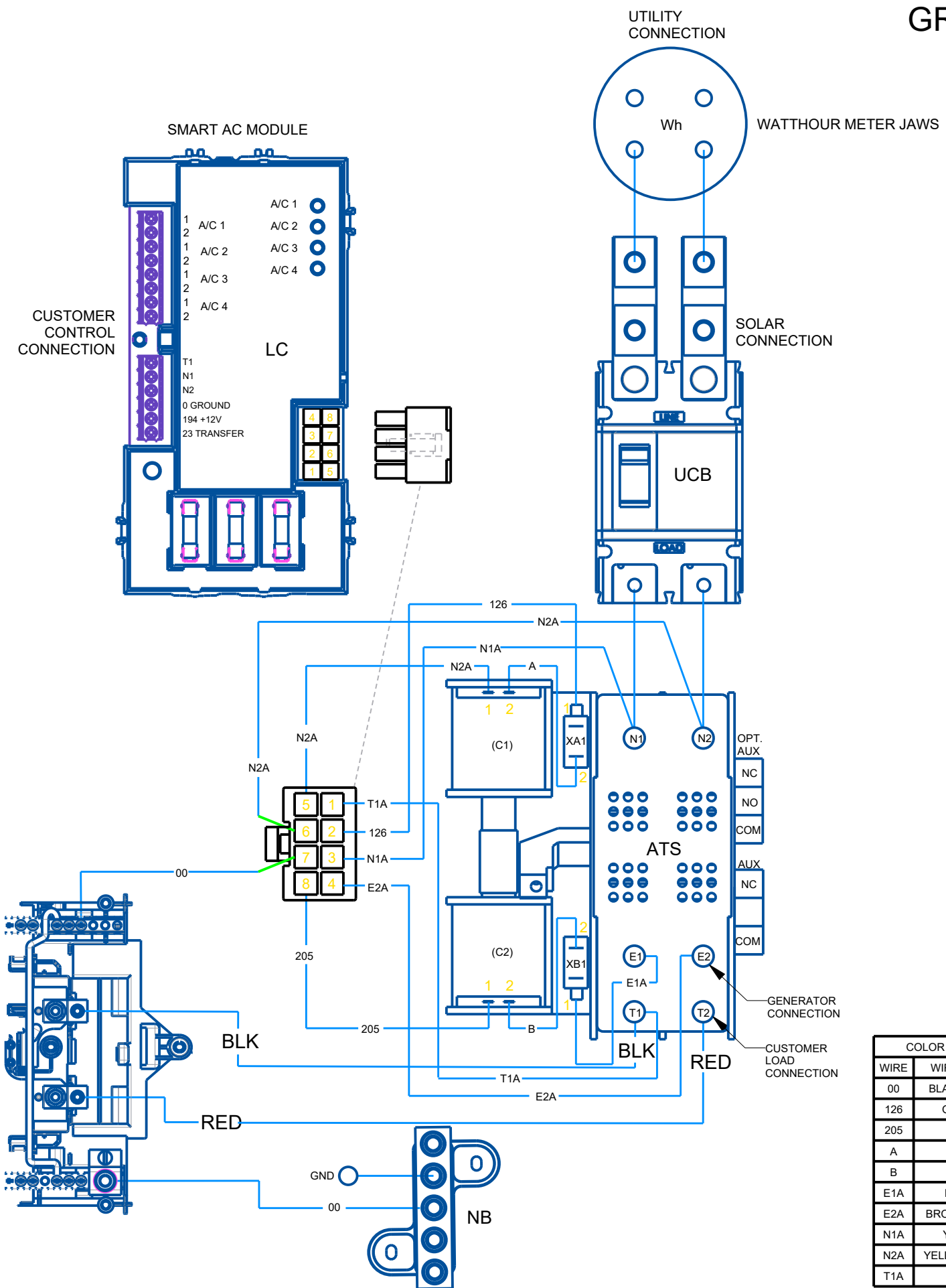
DWG NO: A0000592333

REV: A

SCALE: 0.250

WT-KG: 0.00

SHEET 1 of 3



COLOR CHART	
WIRE	WIRE COLOR
00	BLACK/WHITE
126	ORANGE
205	VIOLET
A	BLACK
B	GRAY
E1A	BROWN
E2A	BROWN/WHITE
N1A	YELLOW
N2A	YELLOW/BLACK
T1A	BLUE

WIRING - DIAGRAM
METER TRANSFER SWITCH
DRAWING A0000258230

REVISION A
DATE 11/11/2019