

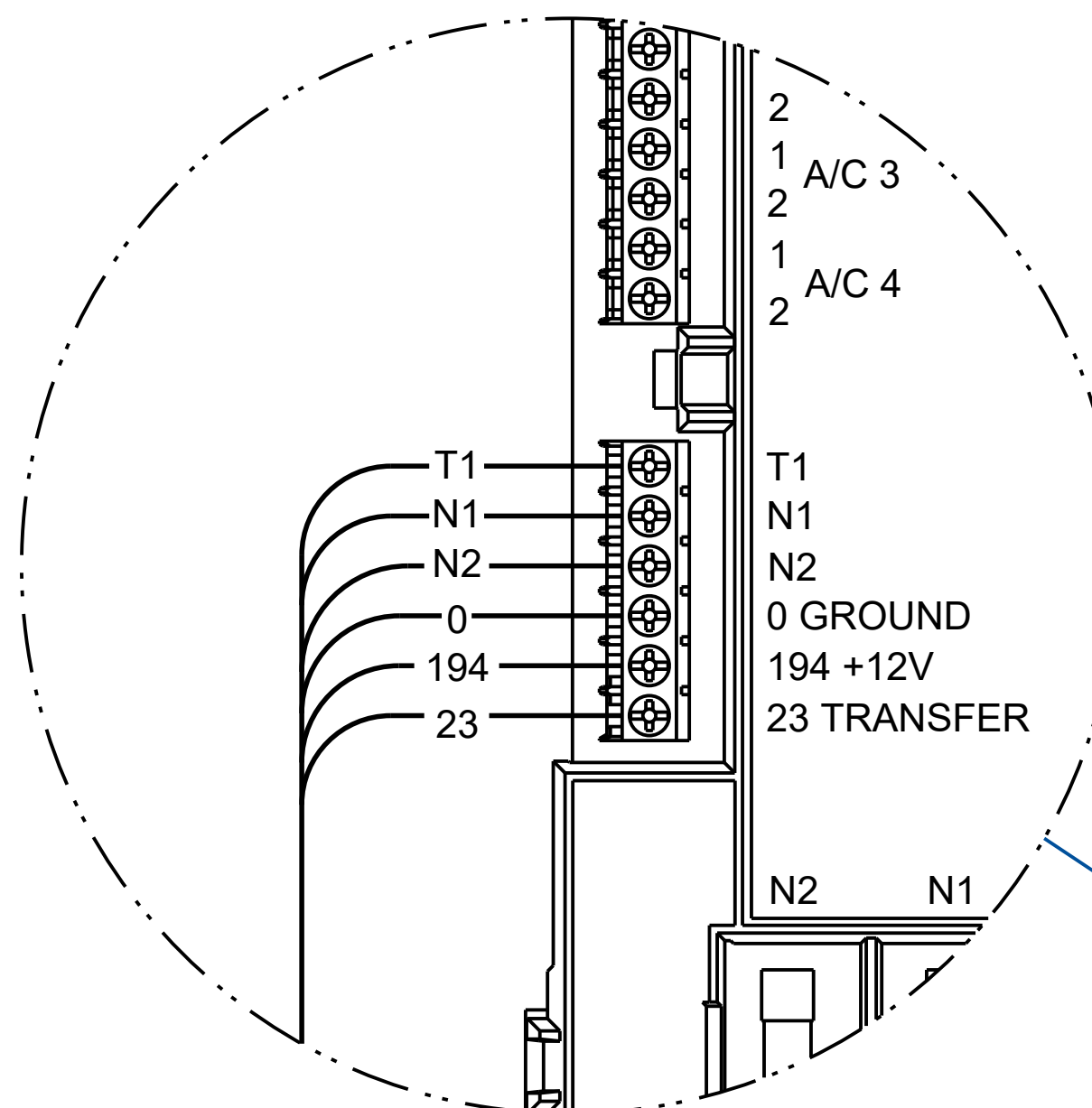
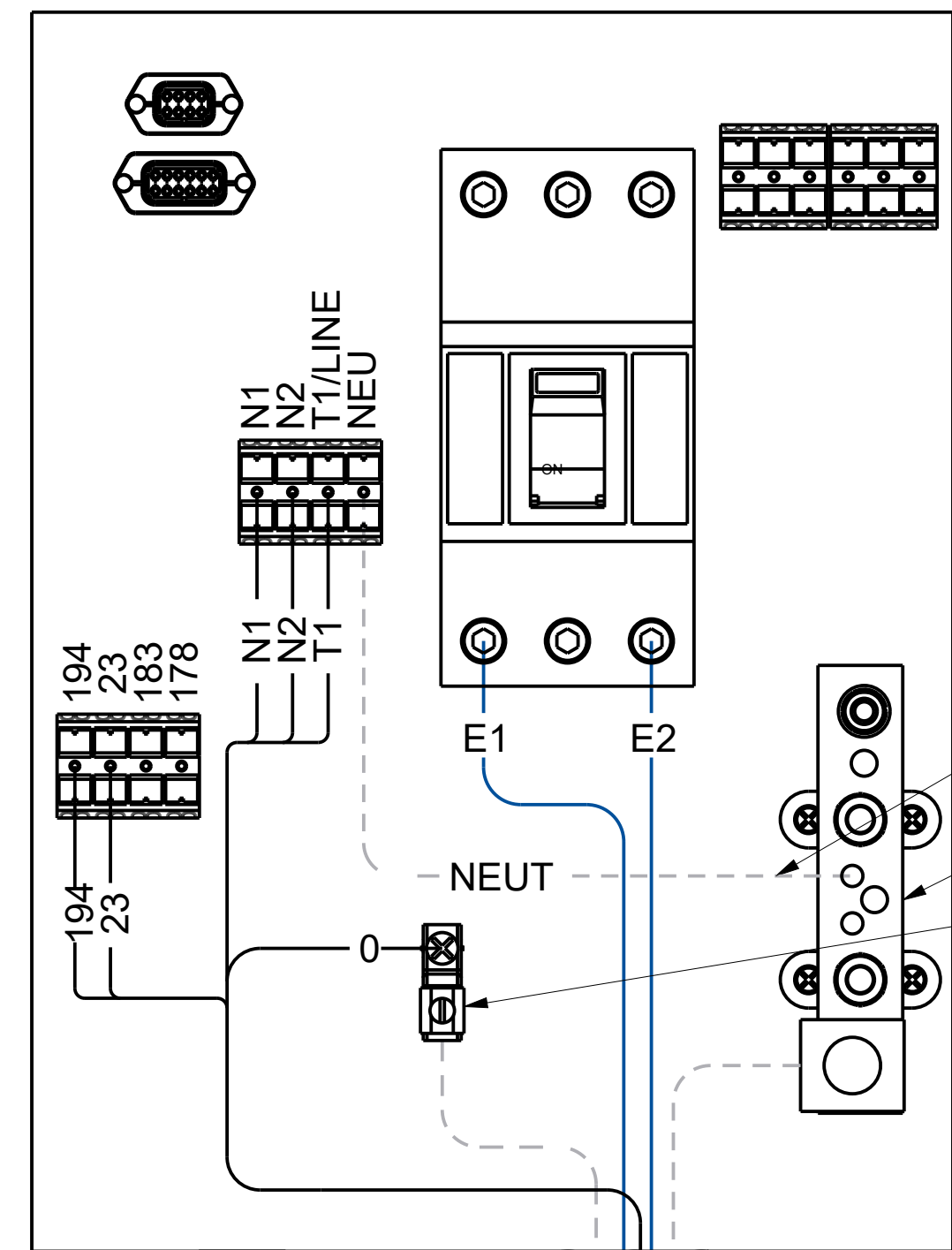
NEUTRAL CONNECTION
GROUND CONNECTION

SERVICE ENTRANCE SWITCH INTERCONNECT

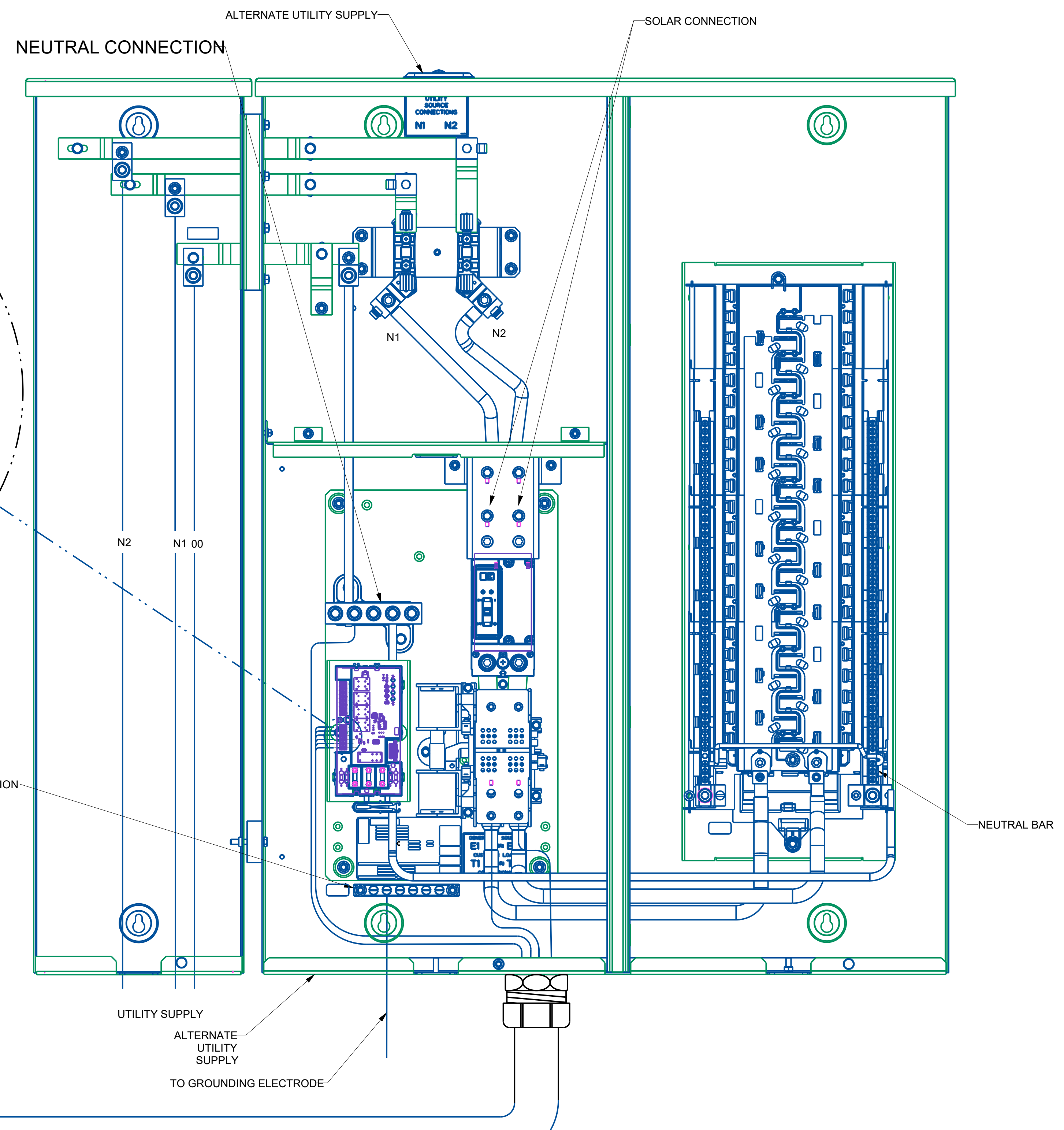
DRAWING CREATED FROM PROENGINEER 3D FILE. ECO MODIFICATION TO BE APPLIED TO SOLID MODEL ONLY.

GENERAL TOLERANCES UNLESS NOTED		THIRD ANGLE PROJECTION		GENERAC	
INTERPRET DIM AND TOL PER ASME Y14.5M-1994				TITLE INTERCONNECT METER XFER SW RXGUW	
<small>GENERAC POWER SYSTEMS OWNS THE COPYRIGHT OF THIS DRAWING WHICH IS SUPPLIED IN CONFIDENCE AND MUST NOT BE USED FOR ANY PURPOSE OTHER THAN FOR WHICH IT IS SUPPLIED WITHOUT THE EXPRESS WRITTEN CONSENT OF GENERAC POWER SYSTEMS. © 2020 GENERAC POWER SYSTEMS 2013</small>					
APPROVALS		DATE		GENERAC MATL SPECIFICATION	
DRAWN BY: MMB		8/20/20		PAINT SURFACE FINISH	
ALL APPROVALS ELECTRONICALLY STORED INSIDE WINDCHILL					
LIFECYCLE STATE:		SIZE	CAGE NO	DWG NO	REV
FIRST USE:		D	N/A	A0000616537	A
		SCALE	0.300	WT-KG	SHEET 1 of 2

QT SERIES ENGINE GENERATOR CONNECTION PANEL



NOTE:
MATCH WIRE NUMBERS
TO TERMINAL NUMBERS



SERVICE ENTRANCE SWITCH INTERCONNECT

DRAWING CREATED FROM PRO/ENGINEER
3D FILE. ECO MODIFICATION TO BE
APPLIED TO SOLID MODEL ONLY.

GENERAL TOLERANCES UNLESS NOTED		THIRD ANGLE PROJECTION		TITLE INTERCONNECT METER XFER SW RXGUW	
SIZE D	CAGE NO N/A	DWG NO A0000616537	REV A		
SCALE 0.300	WT-KG	SHEET 2 of 2			