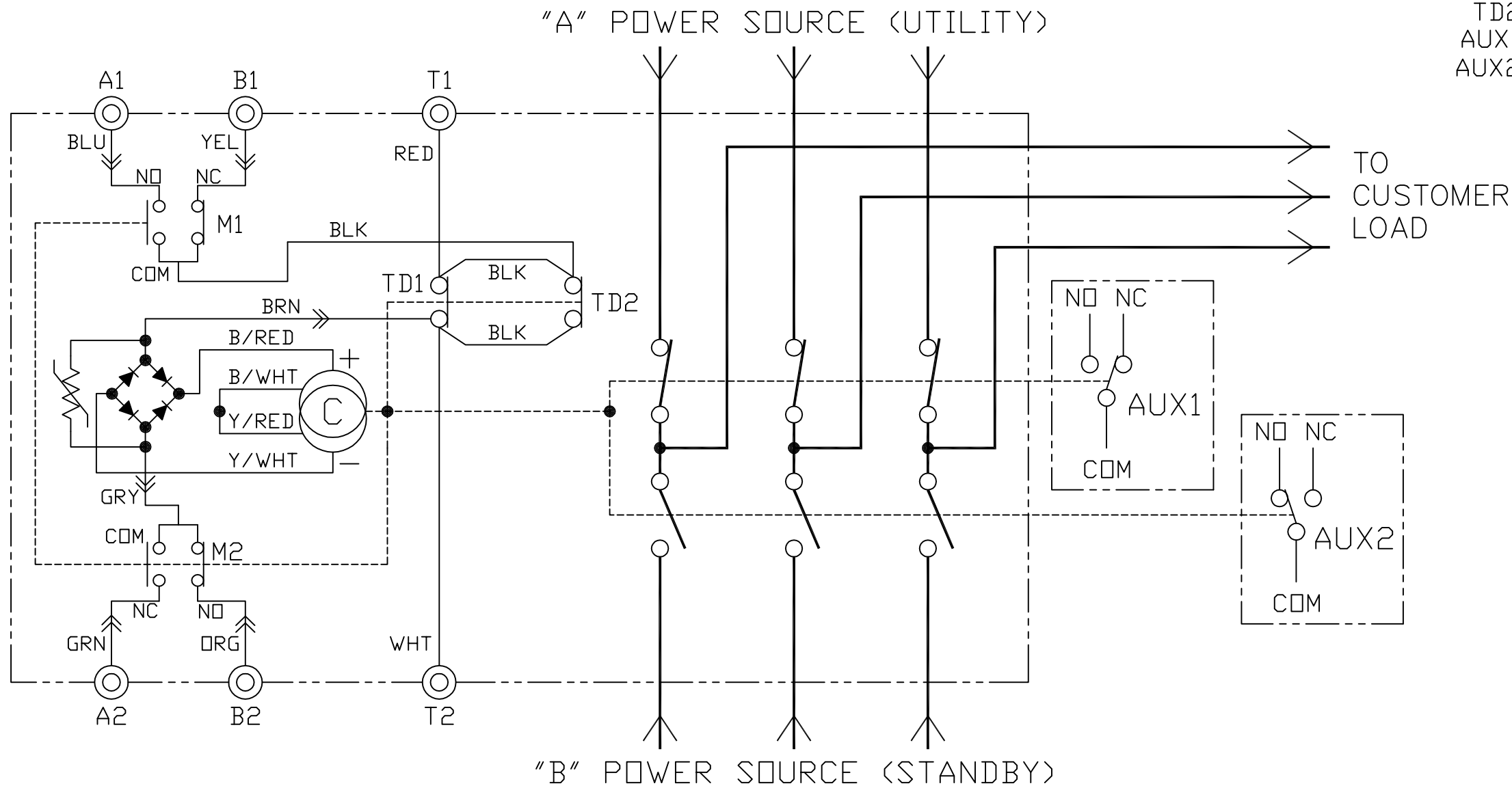


0D4520

LEGEND

- C = CLOSING COIL (DUAL COIL BOBBIN)
- M1 = SOURCE SELECTING LIMIT SWITCH
- M2 = SOURCE SELECTING LIMIT SWITCH
- TD1 = POWER SWITCHING CONTACTS
- TD2 = POWER SWITCHING CONTACTS
- AUX1 = AUXILIARY SWITCHES
- AUX2 = AUXILIARY SWITCHES



WIRE COLORS

- BLU = BLUE WIRE
- YEL = YELLOW WIRE
- RED = RED WIRE
- BLK = BLACK WIRE
- BRN = BROWN WIRE
- GRY = GREY WIRE
- GRN = GREEN WIRE
- ORN = ORANGE WIRE
- WHT = WHITE WIRE
- B/RED = BLUE INSUL. ON TER./ WITH RED WIRE
- B/WHT = BLUE INSUL. ON TER./ WITH WHITE WIRE
- Y/RED = YELLOW INSUL. ON TER./ WITH RED WIRE
- Y/WHT = YELLOW INSUL. ON TER./ WITH WHITE WIRE

SWITCH POSITION		UTILITY	NEUTRAL	STANDBY
AUX. 1	COM-NC	X	0	0
	COM-NO	0	X	X
AUX. 2	COM-NC	0	0	X
	COM-NO	X	X	0

X = CLOSED    0 = OPEN

NOTE:  
ALL CONTACTS SHOWN WITH MAIN POWER CONTACTS CLOSED IN UTILITY POSITION

GENERAC CORPORATION OWNS THE COPYRIGHT OF THIS DRAWING WHICH IS SUPPLIED IN CONFIDENCE AND MUST NOT BE USED FOR ANY PURPOSE OTHER THAN FOR WHICH IT IS SUPPLIED WITHOUT THE EXPRESS WRITTEN CONSENT OF THE GENERAC CORPORATION.  
© GENERAC CORPORATION. 1997

EST. WT.  
FINAL WT.

DO NOT SCALE

ALL DIMENSIONS AND TOLERANCING PER ASME Y14.5M-1994

UNLESS OTHERWISE SPECIFIED:

ALL XX DIM. --- ±.4 MM  
ALL XX.X DIM.-- ±.4 MM  
ALL XX.XX DIM.- ±.15 MM  
ALL ANGLES ---- ±1°

DRAWING TITLE  
W-TYPE W/NEUTRAL TRANS. SWITCH SCHEMATIC DIAGRAM

MATERIAL  
N/A

DWN	JSD	DATE	4/18/01	MFG	N/A	DATE	N/A
CHKD	JJJ	DATE	4/18/01	APPD	FXW	DATE	4/18/01
RELEASED FOR PRODUCTION	BY	J. JONAS		DATE	4/18/01		

**GENERAC CORP**  
**Waukesha**  
P.O. BOX 8  
WAUKESHA, WIS. 53187

FILE NAME 0D4520.DWG    SIZE B

SCALE 1 = 1    FIRST USE GTS

DWG NO. 0D4520    REV -