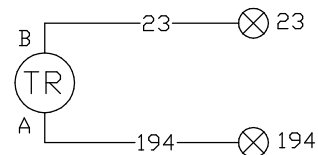


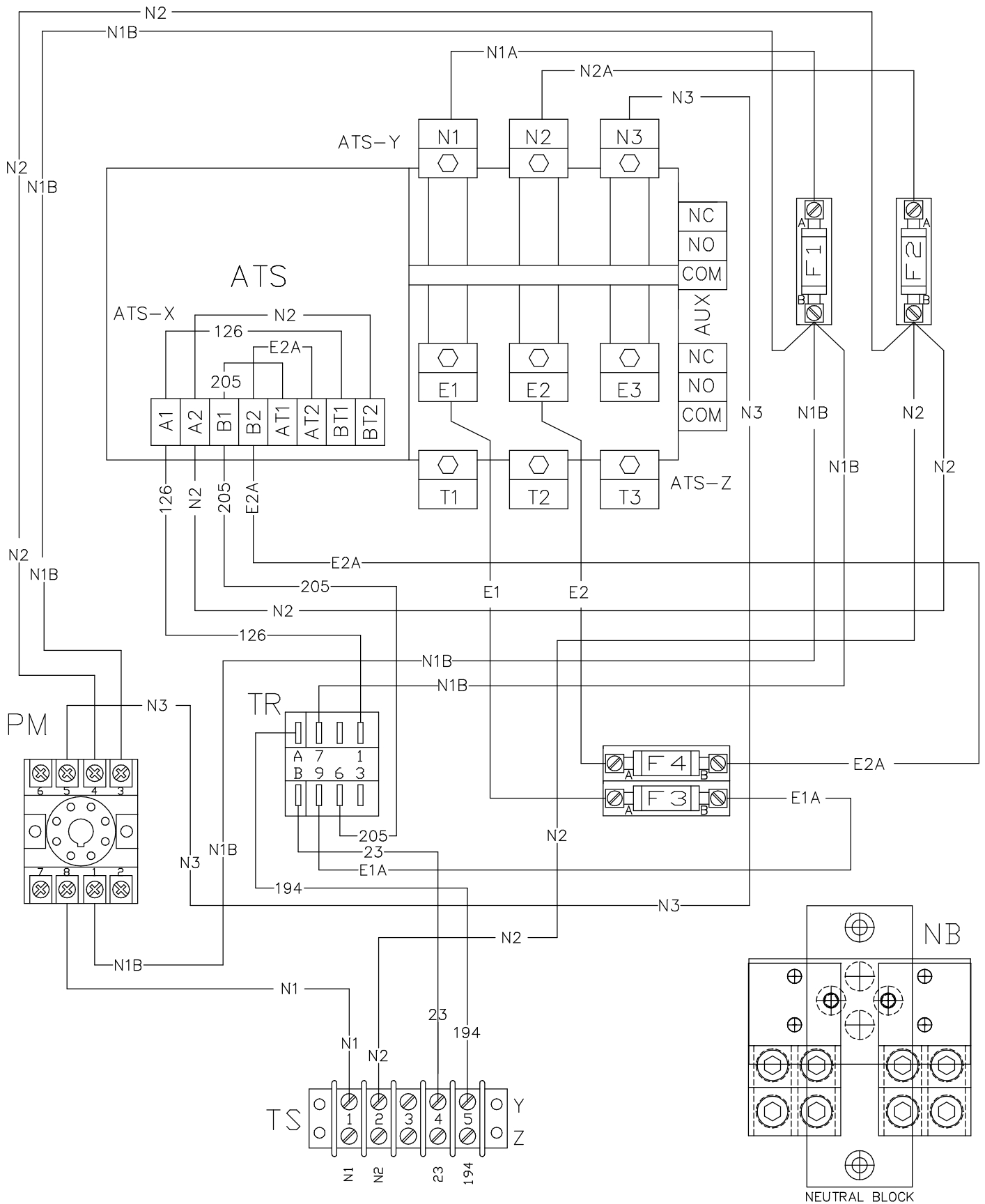
LEGEND

- ATS - TRANSFER SWITCH CONTACTOR
- C - CONTACTOR ACTUATING COIL
- PM - POWER MONITOR, 3 PHASE UTILITY
- SC - COIL, SELECTIVE
- TC - COIL, TRIP
- TR - RELAY, TRANSFER
- TS - TERMINAL STRIP (CUSTOMER CONNECTION)
- F1,F2 - FUSE 5A SENSING & SWITCH OPERATION
- F3,F4 - FUSE 5A SENSING



NOTES:

- 1.) ALL CONTACTS SHOWN WITH TRANSFER SWITCH IN UTILITY POSITION.



WIRING - DIAGRAM

600-800 AMP 3Ø

DRAWING #: 0J0913