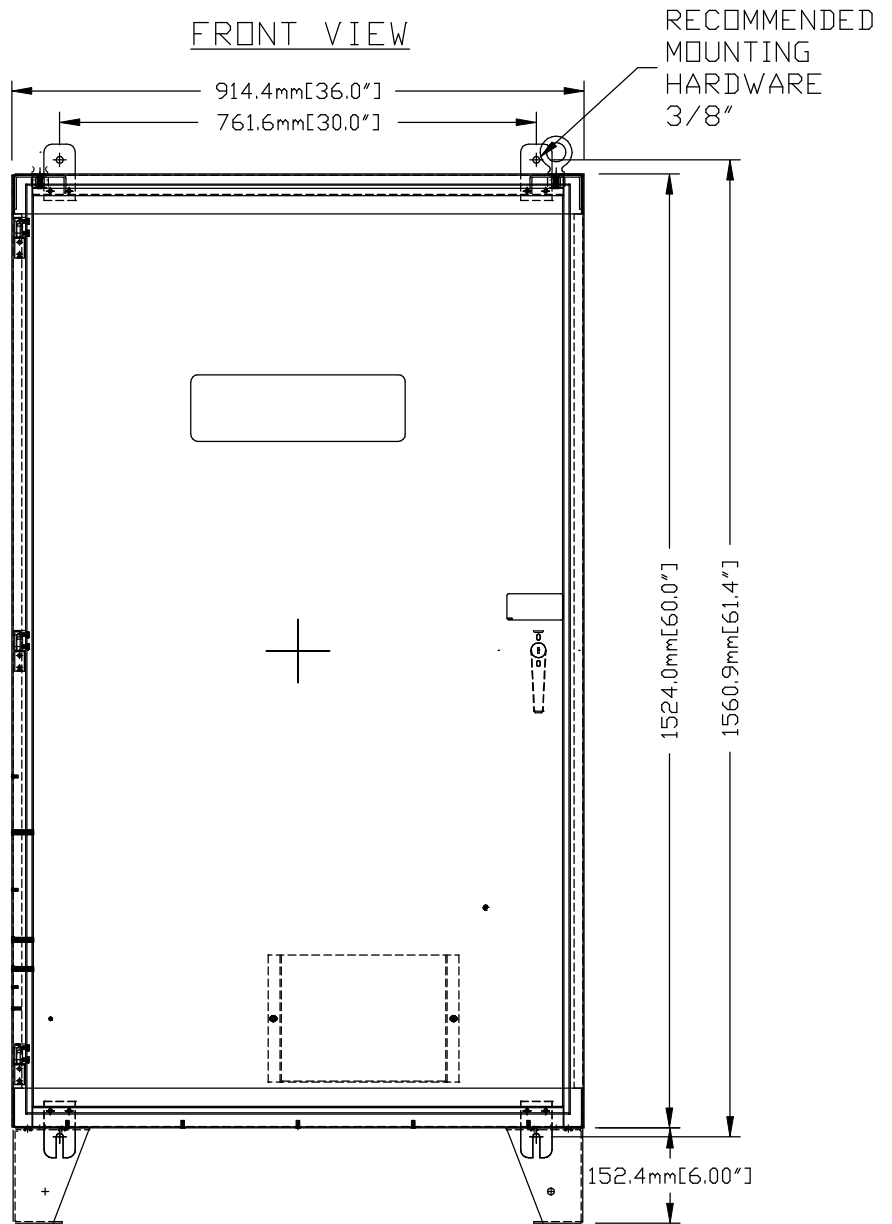
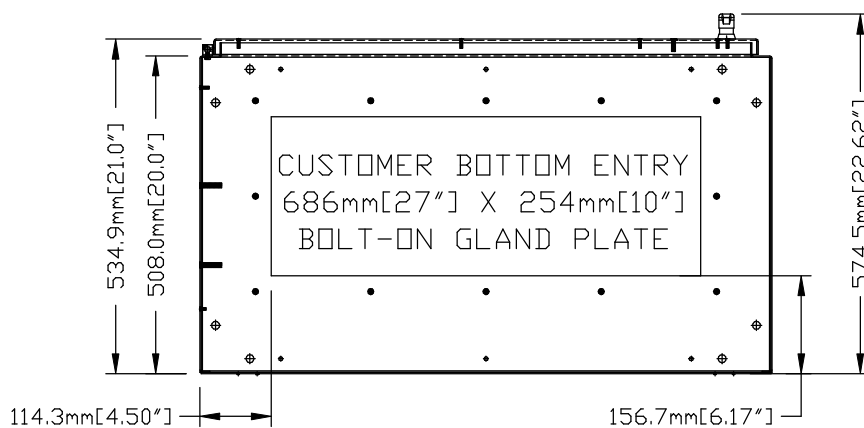
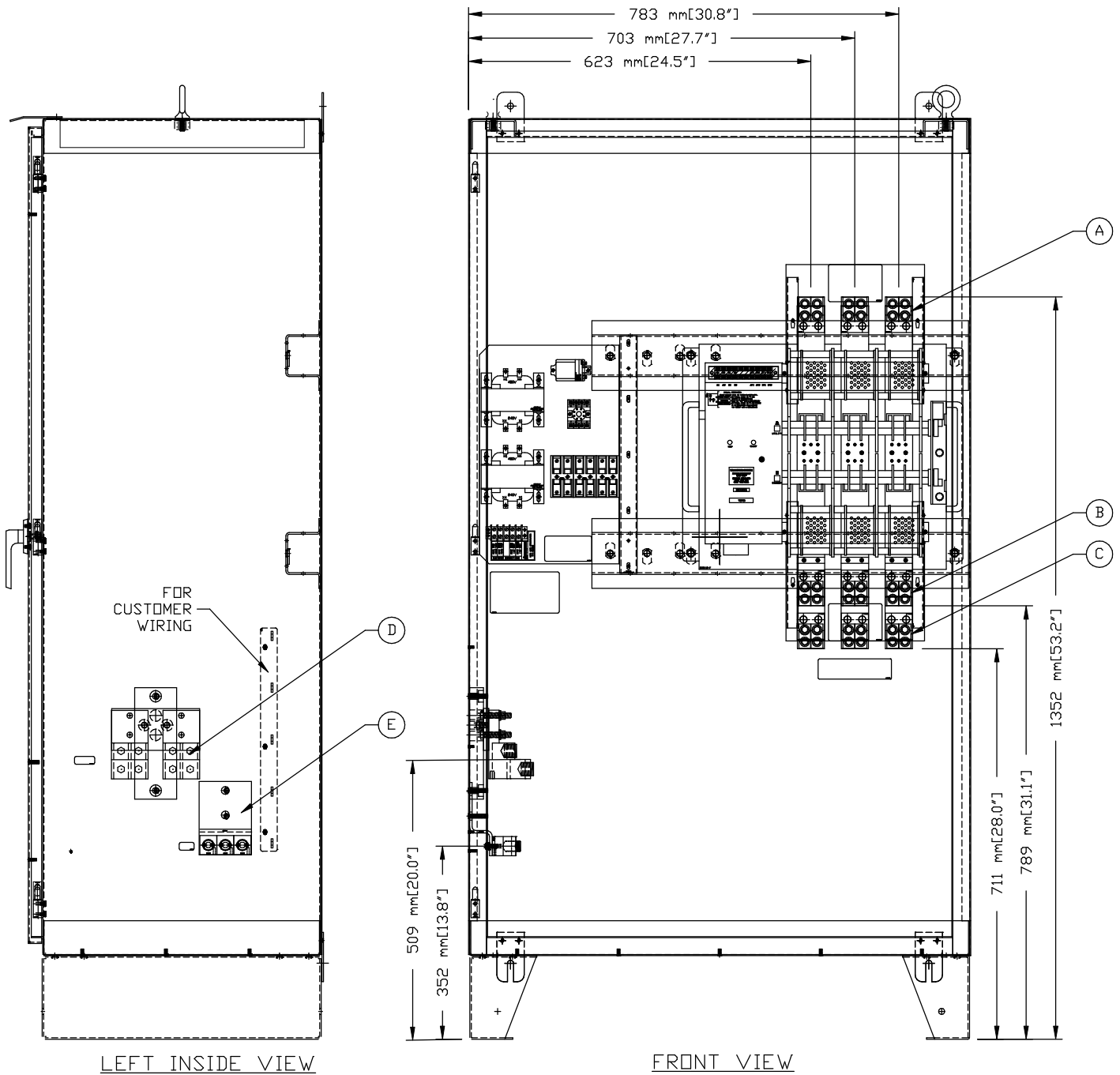


FRONT VIEW



180° SWING FROM CLOSE TO OPEN - 1396mm[55"]
EXTENDED DOOR DIMENSION AT 90°





LEFT INSIDE VIEW

FRONT VIEW

- A - UTILITY UN-GROUNDED CONDUCTOR CONNECTION
(WIRE RANGE 600A: 2x1/0-500MCM - 800-1000A: 4x4/0-500MCM PER POLE)
- B - GENERATOR UN-GROUNDED CONDUCTOR CONNECTION
(WIRE RANGE 600A: 2x1/0-500MCM - 800-1000A: 4x4/0-500MCM PER POLE)
- C - LOAD UN-GROUNDED CONDUCTOR CONNECTION
(WIRE RANGE 600A: 2x1/0-500MCM - 800-1000A: 4x4/0-500MCM PER POLE)
- D - NEUTRAL SUPPLY CONNECTIONS (WIRE RANGE: 8x1/0-750MCM)
- E - GROUND TERMINAL (WIRE RANGE: 3x(1) #4-600MCM OR (6) 1/0-250MCM)