

## *Owner's Manual* *For* *Automatic Transfer Switch*

**100 - 200 Amp, Three Phase, Service Entrance**

### **Model Numbers**

**RTSW100G3**

**RTSW100J3**

**RTSW100K3**

**RTSW200G3**

**RTSW200J3**

**RTSW200K3**

MODEL NUMBER: \_\_\_\_\_

SERIAL NUMBER: \_\_\_\_\_

DATE PURCHASED: \_\_\_\_\_

Register your Generac product at:

WWW.GENERAC.COM

1-888-GENERAC

(888-436-3722)



Para español, visita: <http://www.generac.com/service-support/product-support-lookup>

**SAVE THIS MANUAL FOR FUTURE REFERENCE**

---

 **WARNING**

**CANCER AND REPRODUCTIVE HARM**

[www.P65Warnings.ca.gov](http://www.P65Warnings.ca.gov)

(000393a)

# Table of Contents

---

## ***Section 1: Introduction and Safety***

Introduction .....	1
Read This Manual Thoroughly .....	1
Safety Rules .....	1
Electrical Hazards .....	2
General Hazards .....	3

## ***Section 2: General Information***

Introduction .....	5
Unpacking .....	5
Equipment Description .....	5
Transfer Switch Mechanism .....	5
Utility Service Circuit Breaker .....	6
Transfer Switch Data Decal .....	6
Transfer Switch Enclosure .....	6
Safe Use of Transfer Switch .....	6

## ***Section 3: Installation***

Introduction to Installation .....	7
Mounting .....	7
Connecting Power Source and Load Lines .....	7
Connecting Start Circuit Wires .....	8
Auxiliary Contacts .....	8

## ***Section 4: Operation***

Functional Tests and Adjustments .....	9
Manual Operation .....	9
Close to Standby Source Side .....	9
Return to Normal Source Side .....	9
Voltage Checks .....	10
Utility Voltage Checks .....	10
Generator Voltage Checks .....	10
Generator Tests Under Load .....	11
Checking Automatic Operation .....	11
Installation Summary .....	11
Shutting Generator Down While Under Load .....	12

## ***Section 5: Drawings and Diagrams***

Installation Drawing—100-200 A Three Phase .....	13
Interconnection Drawing—100-200A RTS Series Three Phase .....	14
Interconnection Drawing—100-200A RTS Series Three Phase .....	15
Schematic Diagram—100-200A 240VAC .....	16
Wiring Diagram—100-200A 240VAC .....	17
Schematic Diagram—100-200A 240VAC .....	18
Wiring Diagram—100-200A 240VAC .....	19
Schematic Diagram—100-200A 240VAC .....	20
Schematic Diagram—100-200A 240VAC .....	21

---

**This page intentionally left blank.**

# Section 1: Introduction and Safety

## Introduction

Thank you for purchasing a Generac Power Systems Inc. product. This unit has been designed to provide high performance, efficient operation, and years of use when maintained properly.

### Read This Manual Thoroughly



#### **WARNING**

Consult Manual. Read and understand manual completely before using product. Failure to completely understand manual and product could result in death or serious injury. (000100a)

If any section of this manual is not understood, contact the nearest Independent Authorized Service Dealer (IASD) or Generac Customer Service at 1-888-436-3722 (1-888-GENERAC), or visit [www.generac.com](http://www.generac.com) for starting, operating, and servicing procedures. The owner is responsible for proper maintenance and safe use of the unit.

SAVE THESE INSTRUCTIONS for future reference. This manual contains important instructions that must be followed during placement, operation, and maintenance of the unit and its components. Always supply this manual to any individual that will use this unit, and instruct them on how to correctly start, operate, and stop the unit in case of emergency.

## Safety Rules

The manufacturer cannot anticipate every possible circumstance that might involve a hazard. The alerts in this manual, and on tags and decals affixed to the unit, are not all inclusive. If using a procedure, work method, or operating technique that the manufacturer does not specifically recommend, verify that it is safe for others and does not render the equipment unsafe.

Throughout this publication, and on tags and decals affixed to the unit, DANGER, WARNING, CAUTION, and NOTE blocks are used to alert personnel to special instructions about a particular operation that may be hazardous if performed incorrectly or carelessly. Observe them carefully. Alert definitions are as follows:

#### **DANGER**

Indicates a hazardous situation which, if not avoided, will result in death or serious injury.

(000001)

#### **WARNING**

Indicates a hazardous situation which, if not avoided, could result in death or serious injury.

(000002)

#### **CAUTION**

Indicates a hazardous situation which, if not avoided, could result in minor or moderate injury.

(000003)

**NOTE:** Notes contain additional information important to a procedure and will be found within the regular text of this manual.

These safety alerts cannot eliminate the hazards that they indicate. Common sense and strict compliance with the special instructions while performing the action or service are essential to preventing accidents.

## Electrical Hazards



**⚠ DANGER**

Electrocution. High voltage is present at transfer switch and terminals. Contact with live terminals will result in death or serious injury.

(000129)



**⚠ DANGER**

Electrocution. Water contact with a power source, if not avoided, will result in death or serious injury.

(000104)



**⚠ DANGER**

Electrocution. In the event of electrical accident, immediately shut power OFF. Use non-conductive implements to free victim from live conductor. Apply first aid and get medical help. Failure to do so will result in death or serious injury.

(000145)

**⚠ DANGER**

Electrical backfeed. Use only approved switchgear to isolate generator from the normal power source. Failure to do so will result in death, serious injury, and equipment damage.

(000237)



**⚠ DANGER**

Electrocution, equipment and property damage. Handle transfer switches carefully when installing. Never install a damaged transfer switch. Doing so could result in death or serious injury, equipment and property damage.

(000195)



**⚠ DANGER**

Electrocution. Turn utility supply OFF before working on utility connections of the transfer switch. Failure to do so will result in death or serious injury.

(000123)



**⚠ DANGER**

Electrocution. Do not disable or modify the connection box door safety switch. Doing so will result in death or serious injury.

(000157)

**⚠ DANGER**

Automatic start-up. Disconnect utility power and render unit inoperable before working on unit. Failure to do so will result in death or serious injury.

(000191)

**⚠ DANGER**

Equipment malfunction. Installing a dirty or damaged transfer switch will cause equipment malfunction and will result in death or serious injury.

(000119)

**⚠ WARNING**

Electric shock. Only a trained and licensed electrician should perform wiring and connections to unit. Failure to follow proper installation requirements could result in death, serious injury, and equipment or property damage.

(000155a)

**⚠ CAUTION**

Equipment damage. Verify all conductors are tightened to the factory specified torque value. Failure to do so could result in damage to the switch base.

(000120)

**⚠ CAUTION**

Equipment damage. Perform functional tests in the exact order they are presented in the manual. Failure to do so could result in equipment damage.

(000121)

**⚠ CAUTION**

Equipment damage. Exceeding rated voltage and current will damage the auxiliary contacts. Verify that voltage and current are within specification before energizing this equipment.

(000134a)

## General Hazards

### DANGER

Electrical backfeed. Use only approved switchgear to isolate generator from the normal power source. Failure to do so will result in death, serious injury, and equipment damage.

(000237)



### DANGER

Electrocution. High voltage is present at transfer switch and terminals. Contact with live terminals will result in death or serious injury.

(000129)



### DANGER

Electrocution. Turn utility supply OFF before working on utility connections of the transfer switch. Failure to do so will result in death or serious injury.

(000123)



### DANGER

Electrocution. Water contact with a power source, if not avoided, will result in death or serious injury.

(000104)



### DANGER

Electrocution. Do not wear jewelry while working on this equipment. Doing so will result in death or serious injury.

(000188)



### DANGER

Electrocution. Only authorized personnel should access transfer switch interior. Transfer switch doors should be kept closed and locked. Failure to do so will result in death or serious injury.

(000213)

### DANGER

Automatic start-up. Disconnect utility power and render unit inoperable before working on unit. Failure to do so will result in death or serious injury.

(000191)



### DANGER

Electrocution. In the event of electrical accident, immediately shut power OFF. Use non-conductive implements to free victim from live conductor. Apply first aid and get medical help. Failure to do so will result in death or serious injury.

(000145)



### WARNING

Loss of life. This product is not intended to be used in a critical life support application. Failure to adhere to this warning could result in death or serious injury.

(000209b)

### WARNING

Equipment damage. This unit is not intended for use as a prime power source. It is intended for use as an intermediate power supply in the event of temporary power outage only. Doing so could result in death, serious injury, and equipment damage.

(000247a)

### WARNING

Risk of injury. Do not operate or service this machine if not fully alert. Fatigue can impair the ability to operate or service this equipment and could result in death or serious injury.

(000215a)

- Competent, qualified personnel should install, operate and service this equipment. Adhere strictly to local, state and national electrical and building codes. When using this equipment, comply with regulations established by the National Electrical Code (NEC), CSA Standard; C22.1 Canadian Electric Code, the Occupational Safety and Health Administration (OSHA), or the local agency for workplace health and safety.
- If working on this equipment while standing on metal or concrete, place insulative mats over a dry wood platform. Work on this equipment only while standing on such insulative mats.
- Never work on this equipment while physically or mentally fatigued.
- Any voltage measurements should be performed with a meter that meets UL3111 safety standards, and meets or exceeds overvoltage class CAT III.

**This page intentionally left blank.**



# Section 2: General Information

## Introduction

Thank you for purchasing a Generac transfer switch. This manual has been prepared especially for the purpose of familiarizing personnel with the design, application, installation, operation, and servicing of the applicable equipment. Read this manual carefully and comply with all instructions. This will help to prevent accidents or damage to equipment that might otherwise be caused by carelessness, incorrect application, or improper procedures.

Every effort has been expended to make sure that the contents of this manual are both accurate and current. The manufacturer, however, reserves the right to change, alter or otherwise improve the product or manual at any time without prior notice.

## Unpacking

Carefully unpack the transfer switch. Inspect closely for any damage that might have occurred during shipment. The purchaser must file with the carrier any claims for loss or damage incurred while in transit. Verify that all parts are included.

Verify that all packing material is completely removed from the switch prior to installation.

## Equipment Description

The automatic transfer switch is used for transferring electrical load from a UTILITY (NORMAL) power source to a GENERATOR (STANDBY) power source. Such a transfer of electrical loads occurs automatically when the UTILITY power source has failed or is substantially reduced and the GENERATOR source voltage and frequency have reached an acceptable level. The transfer switch prevents electrical feedback between two different power sources (such as the UTILITY and GENERATOR sources) and, for that reason, codes require it in all standby electric system installations.

The transfer switch consists of a transfer mechanism, utility service disconnect circuit breaker (if equipped), a control relay, fuses, terminal strip, and fuse holder for connection of sensing wires.

This transfer switch is suitable for use as service equipment.

### Transfer Switch Mechanism

See [Figure 2-1](#). These switches are used with a three-phase system when the three-phase NEUTRAL line is to be connected to a neutral lug and is not to be switched.

Solderless, screw-type terminal lugs are standard.

The conductor size range is as follows:

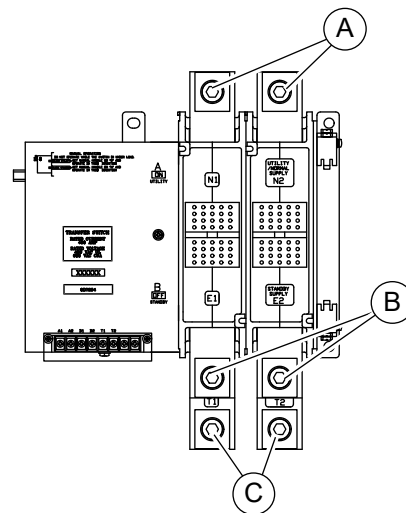
Switch Rating	Wire Range	Conductor Torque Specification
100A	#6–2/0 AWG	2/0–#3: 50 in-lb (5.6 Nm) #4–6: 45 in-lb (5.1 Nm) #8: 40 in-lb (4.5 Nm) #10–#14: 35 in-lb (4.0 Nm)
200A	#4–400 MCM	275 in-lb (31.1 Nm)

Terminal lugs to be tightened to the torque values as noted on the decal located on the inside of the door.

This transfer switch is suitable for control of motors, electric discharge lamps, tungsten filament, and electric heating equipment where the sum of motor full load ampere ratings and the ampere ratings of other loads do not exceed the ampere rating of the switch and the tungsten load does not exceed 30 percent of the switch rating.

This ETL listed transfer switch is for use in optional standby systems only (NEC article 702).

The 100A transfer switch is suitable for use on a circuit capable of 14,000 rms symmetrical amperes, 480 VAC maximum. The 200A transfer switch is suitable for use on a circuit capable of 18,000 rms symmetrical amperes, 480 VAC maximum.



000218

**Figure 2-1. Typical Single-Phase ATS Transfer Mechanism**

A	Utility Lugs (N1 & N2)
B	Generator Lugs (E1 & E2)
C	Load Lugs (T1 & T2)

## Utility Service Circuit Breaker

- The utility service circuit breakers for the 100/200 amp models are:
  - Type 225AF, 3 Pole
  - 240/480 VAC, 100A/200A
  - 50/60 Hertz
  - Wire range:
    - Line—300 MCM - 6 STR (Cu/Al)
- The conductor tightening torque is:
  - See utility service circuit breaker markings.

## Transfer Switch Data Decal

A data decal is permanently affixed to the transfer switch enclosure. Use this transfer switch only with the specific limits shown on the data decal and on other decals and labels that may be affixed to the switch. This will prevent damage to equipment and property.

When requesting information or ordering parts for this equipment, make sure to include all information from the data decal.

For future reference, record the Model and Serial numbers in the space provided on the front cover of this manual.

## Transfer Switch Enclosure

The standard switch enclosure is a National Electrical Manufacturer's Association (NEMA) 3R type. NEMA 3R (indoor/outdoor rated) type enclosures primarily provide a degree of protection against falling rain and sleet, and are undamaged by the formation of ice on the enclosure.

## Safe Use of Transfer Switch

---



### **WARNING**

Consult Manual. Read and understand manual completely before using product. Failure to completely understand manual and product could result in death or serious injury. (000100a)

---

Before installing, operating or servicing this equipment, read the **Safety Rules** carefully. Comply strictly with all **Safety Rules** to prevent accidents and/or damage to the equipment. The manufacturer recommends that a copy of the **Safety Rules** be posted near the transfer switch. Also, be sure to read all instructions and information found on tags, labels and decals affixed to the equipment.

The following publications outline the safe use of transfer switches:

- NFPA 70; National Electrical Code
- NFPA 70E; Standard for Electrical Safety in the Workplace

**NOTE:** It is essential to use the latest version of any standard to ensure correct and current information.

## Section 3: Installation

### Introduction to Installation

This equipment has been wired and tested at the factory. Installing the switch includes the following procedures:

- Mounting the enclosure.
- Connecting power source and load leads.
- Connecting the generator start and sensing circuit.
- Connecting any auxiliary contact (if needed).
- Testing functions.

### Mounting

#### DANGER

Equipment malfunction. Installing a dirty or damaged transfer switch will cause equipment malfunction and will result in death or serious injury.

(000119)

Mounting dimensions for the transfer switch enclosure are in this manual. Enclosures are typically wall-mounted. See [Drawings and Diagrams](#).

This transfer switch is mounted in a NEMA 3R enclosure. It can be mounted outside or inside and should be based on the layout of installation, convenience and proximity to the utility supply and load center.

Install the transfer switch as close as possible to the electrical loads that are to be connected to it. Mount the switch vertically to a rigid supporting structure. To prevent switch distortion, level all mounting points. If necessary, use washers behind mounting holes to level the unit.

**NOTE:** Where a Generac service-rated ATS is installed downstream of the utility metering equipment that does not contain a service disconnecting means, the ATS shall be installed as the service equipment in accordance with the requirements in NEC Article 230.

### Connecting Power Source and Load Lines



#### DANGER

Electrocution. Turn utility and emergency power supplies to OFF before connecting power source and load lines. Failure to do so will result in death or serious injury. (000116)

Installation and interconnection diagrams are provided in this manual.

**NOTE:** All installations must comply with national, state, and local codes. It is the responsibility of the installer to

perform an installation that will pass the final electrical inspection.

The utility supply connection is made at the utility service disconnect circuit breaker terminals. The generator and customer load connections are made at the transfer switch mechanism, inside the switch enclosure.

Conductor sizes must be adequate to handle the maximum current to which they will be subjected, based on the American Wire Gauge (AWG) 167°F (75°C) column of tables, charts, etc. used to size conductors. The installation must comply fully with all applicable codes, standards and regulations.

All power cables can enter the enclosure through the knockouts provided. If not using the knockouts, conduit entry into the enclosure above the level of uninsulated live parts shall use fittings listed for use in wet locations to maintain the Type 3R rating. Conduits should be arranged to provide separation between the Utility and Generator supply conductors inside the enclosure.

If aluminum conductors are used, apply corrosion inhibitor to conductors. After tightening terminal lugs, carefully wipe away any excess corrosion inhibitor.

Tighten terminal lugs to the torque values as noted on the decal located on the inside of the door. After tightening terminal lugs, carefully wipe away any excess corrosion inhibitor.

#### CAUTION

Equipment damage. Verify all conductors are tightened to the factory specified torque value. Failure to do so could result in damage to the switch base.

(000120)

Connect power source and load conductors to clearly marked terminal lugs on transfer mechanism as follows:

1. Connect utility (normal) power source cables to utility service disconnect circuit breaker.
2. Connect the generator (standby) source power cables to transfer switch terminals E1, E2, and E3.
3. Connect customer LOAD leads to switch terminals T1, T2, and T3.

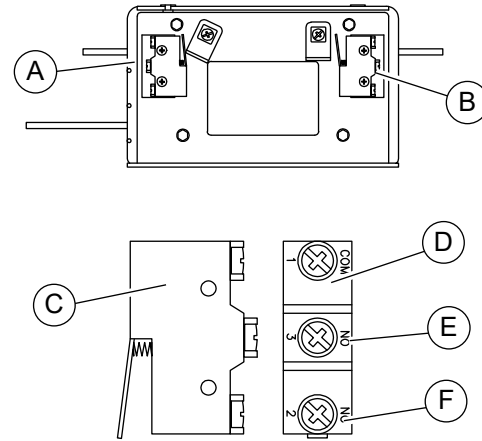
## Connecting Start Circuit Wires

Control system interconnections may consist of N1, N2, and T1, and leads 23 and 194. The generator control wiring is a Class 1 signaling circuit. Reference the Installation Manual of the specific generator for wiring connection details. Recommended wire gauge sizes for this wiring depends on the length of the wire, as recommended in the following chart:

Maximum Wire Length	Recommended Wire Size
1–115 ft (1–35 m)	No. 18 AWG
116–185 ft (36–56 m)	No. 16 AWG
186–295 ft (57–89 m)	No. 14 AWG
296–460 ft (90–140 m)	No. 12 AWG

**Exception:** Conductors of AC and DC circuits, rated 1000 volts nominal or less, shall be permitted to occupy the same equipment, cable, or conduit. All conductors shall have an insulation rating equal to at least the maximum circuit voltage applied to any conductor within the equipment, cable, or conduit. See NEC 300.3(C)(1).

**NOTE:** An RTS series transfer switch without a T1/Fused connection must use a 120VAC protected circuit from the panel board to power the battery charge circuit (dedicated 15/20 amp circuit).



000140

**Figure 3-1. Auxiliary Contacts**

A	Auxiliary Contact (Actuated)
B	Auxiliary Contact (Non-Actuated)
C	Single Contact (Utility Position)
D	Common Terminal
E	Normally Open Terminal
F	Normally Closed Terminal

## Auxiliary Contacts

See [Figure 3-1](#). Auxiliary contacts on the transfer switch are available to operate customer accessories, remote advisory lights, or remote annunciator devices. A suitable power source must be connected to the common terminal (D). Auxiliary contact (A) is optional.

Contact operation is shown in the following chart:

	Switch Position	
	Utility	Standby
Common to Normally Open	Open	Closed
Common to Normally Closed	Closed	Open

### **CAUTION**

Equipment damage. Exceeding rated voltage and current will damage the auxiliary contacts. Verify that voltage and current are within specification before energizing this equipment. (000134a)

## Section 4: Operation

### Functional Tests and Adjustments



Equipment damage. Perform functional tests in the exact order they are presented in the manual. Failure to do so could result in equipment damage.

(000121)

Following transfer switch installation and interconnection, inspect the entire installation carefully. A competent, qualified electrician should inspect it. The installation should comply strictly with all applicable codes, standards, and regulations. When absolutely certain the installation is proper and correct, complete a functional test of the system.

**NOTE:** Before proceeding with functional tests, read and verify all instructions and information in this section is understood. Also read the information and instructions of labels and decals affixed to the switch. Note any options or accessories that might be installed and review their operation.

### Manual Operation



Electrocution. Do not manually transfer under load. Disconnect transfer switch from all power sources prior to manual transfer. Failure to do so will result in death or serious injury, and equipment damage.

(000132)



Equipment damage. Do not use excessive force while manually operating the transfer switch. Doing so could result in equipment damage.

(000122)

See [Figure 4-1](#). A manual handle (A) is shipped with the transfer switch. Manual operation must be checked **BEFORE** the transfer switch is operated electrically.

Proceed as follows to check manual operation:

1. Verify generator is OFF.
2. Turn OFF (OPEN) both utility and emergency power supplies to the transfer switch, with whatever means provided (such as the main line circuit breakers).

3. See [Figure 4-1](#). Note position of transfer mechanism main contacts by observing display windows in “A” and “B” (3 and 4 in Figure 4-1) as follows:
  - Window “A” ON, Window “B” OFF - LOAD terminals (T1, T2, T3) are connected to utility terminals (N1, N2, N3).
  - Window “A” OFF, Window “B” ON - LOAD terminals (T1, T2, T3) are connected to emergency terminals (E1, E2, E3).

### Close to Standby Source Side

See [Figure 4-1](#). Before proceeding, verify the position of the switch by observing Window “B.” If Window “B” reads “ON,” the contacts are closed in the EMERGENCY (STANDBY) position; no further action is required. If it reads “OFF,” proceed as follows:

1. Attach handle (A) to actuating shaft (B).
2. Move the handle in the direction of the arrow on the switch cover until it stops—**DO NOT FORCE**.
3. Release handle slowly to allow the spring in the switch box to relax. “OFF” now appears in Window “A” and “ON” appears in Window “B.”

### Return to Normal Source Side

Manually actuate switch to return Window “A” to the “ON” position.

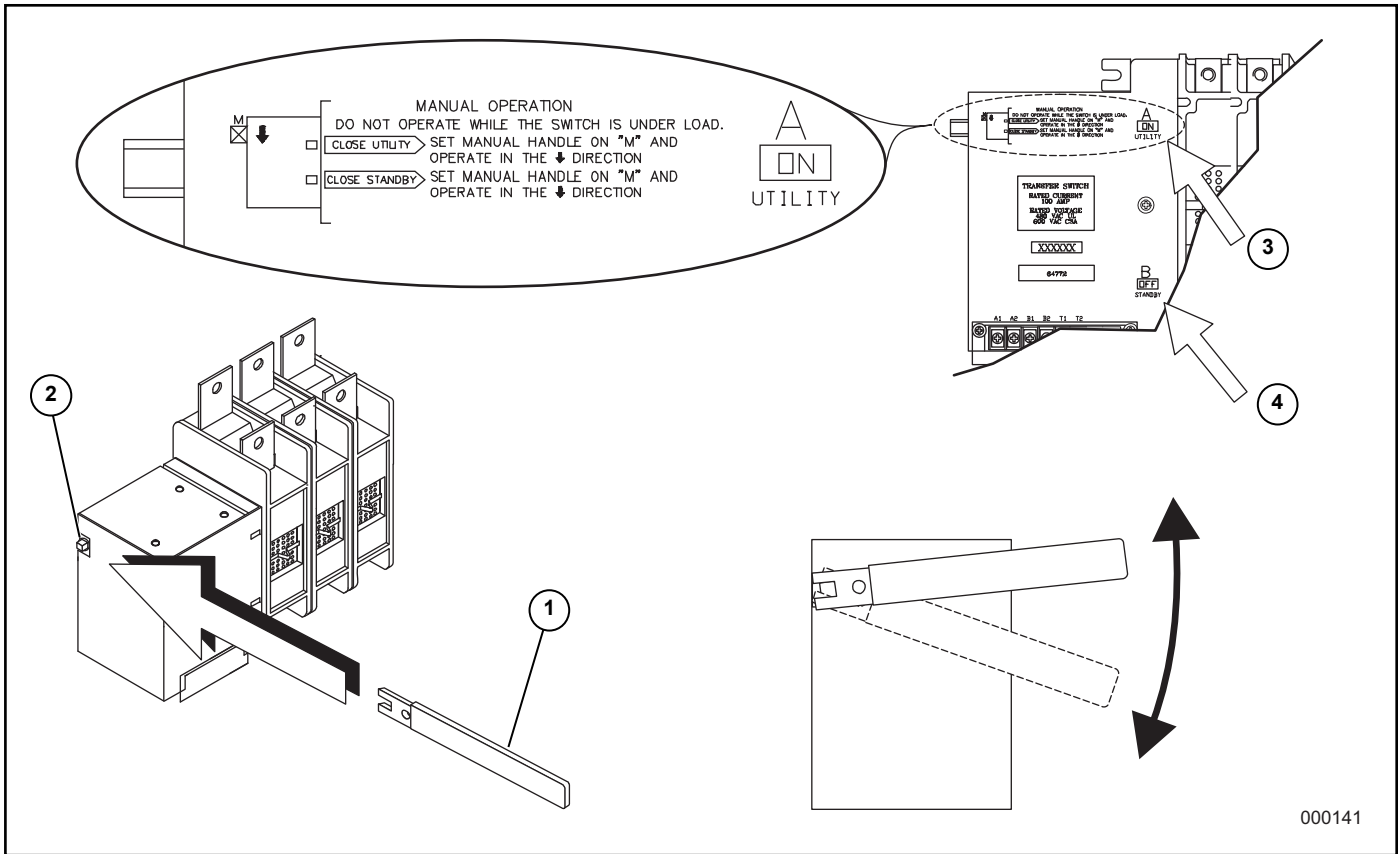


Figure 4-1. Actuating Transfer Switch

### Voltage Checks



**⚠ DANGER**

Electrocution. High voltage is present at transfer switch and terminals. Contact with live terminals will result in death or serious injury.

(000129)

**NOTE:** Use the Digital Multimeter (DMM) LowZ low input impedance setting to collect accurate voltage measurements. LowZ eliminates the possibility of inaccurate ghost voltage readings, also known as phantom voltage or stray voltage readings. See DMM manufacturer’s literature for additional information.

### Utility Voltage Checks

1. Turn ON the UTILITY power supply to the transfer switch with whatever means provided (such as the UTILITY main line circuit breaker).
2. With an accurate AC voltmeter, check for correct voltage. Measure across ATS terminal lugs N1 and N2; N1 to NEUTRAL and N2 to NEUTRAL.

### Generator Voltage Checks



**⚠ DANGER**

Electrocution. High voltage is present at transfer switch and terminals. Contact with live terminals will result in death or serious injury.

(000129)

1. On the generator panel, select MANUAL mode. The generator will crank and start.
2. Allow generator to stabilize and warm up at no-load for at least five minutes.
3. Set generator main circuit breaker (CB1) to ON (CLOSED).
4. With an accurate AC voltmeter and frequency meter, check the no-load, voltage and frequency. Measure across ATS terminal lugs E1 to E2; E1 to NEUTRAL and E2 to NEUTRAL

Frequency	60–62 Hz
Terminals E1 to E2	240–246 VAC
Terminals E1 to NEUTRAL	120–123 VAC
Terminals E2 to NEUTRAL	120–123 VAC

5. When certain that Three Phase Rotation is correct, and generator supply voltage is correct and compatible with transfer switch ratings, turn OFF the generator supply to the transfer switch.

6. Set generator main circuit breaker (CB1) to OFF (OPEN).
7. On the generator panel, select OFF to shut down the generator.

**NOTE:** Do NOT proceed until generator AC output voltage and frequency are correct and within stated limits. If the no-load voltage is correct but no-load frequency is incorrect, the engine governed speed may require adjustment. If no-load frequency is correct but voltage is not, the voltage regulator may require adjustment.

## Generator Tests Under Load

1. Turn OFF the utility power supply to the transfer switch with whatever means provided (such as the utility main line circuit breaker).
2. Set the utility service disconnect circuit breaker of the transfer switch to OFF (OPEN), and turn OFF (OPEN) all load circuit breakers.
3. Manually actuate the transfer switch main contacts to the emergency (standby) position. See [Manual Operation](#).
4. Select MANUAL mode to start generator. Allow engine to stabilize for a few minutes, and close lid (if applicable).
5. Set the generator main circuit breaker to ON (CLOSED). The generator now powers all LOAD circuits. Check generator operation under load as follows:
  - Turn on electrical loads to the full rated wattage/ amperage capacity of the generator. DO NOT OVERLOAD.
  - With maximum rated load applied, check voltage and frequency across transfer switch terminals E1 and E2. Frequency should be greater than 59 Hz.
  - Let the generator run under rated load for at least 30 minutes. With unit running, listen for unusual noises, vibration, overheating, etc., that might indicate a problem.
6. Set generator main circuit breaker to OFF (OPEN) when checkout under load is complete.
7. Allow generator to run at no-load for several minutes. Then shut down by selecting OFF.
8. Move main switch contacts to utility position.

**NOTE:** See [Manual Operation](#). Handle and operating lever of transfer switch should be DOWN.

9. Turn on the utility power supply to transfer switch, using whatever means provided (such as a utility main line circuit breaker). The utility power source now powers the loads.

The system is now set for fully automatic operation.

## Checking Automatic Operation

Proceed as follows to check system for proper automatic operation:

1. Verify generator is OFF.
2. Set transfer switch utility service disconnect circuit breaker to OFF (OPEN).
3. Verify switch is de-energized.
4. Install front cover of the transfer switch.
5. Set transfer switch utility service disconnect circuit breaker to ON (CLOSED).
6. Set generator main circuit breaker to ON.
7. Select AUTO on generator panel. The system is now ready for automatic operation.
8. Set transfer switch utility service disconnect circuit breaker to OFF (OPEN).

With the generator ready for automatic operation, the engine will crank and start when the utility source power is turned OFF after a ten second delay (factory default setting). After starting, the transfer switch will connect load circuits to the standby side after a five second warm-up delay. Allow system to operate through its entire automatic sequence of operation.

## Installation Summary

1. Verify the installation has been properly performed as outlined by the manufacturer and that it meets all applicable laws and codes.
2. Verify proper operation of the system as outlined in the appropriate installation and owner's manuals.
3. Educate the end user on proper operation, maintenance, and service call procedures.

**NOTE:** The utility power circuit breaker in the transfer switch must be turned OFF to simulate a utility outage. Shutting off the main disconnect in a subpanel connected to the transfer switch will NOT simulate an outage.

## Shutting Generator Down While Under Load

**IMPORTANT NOTE:** To avoid equipment damage, follow these steps, in order, when shutting the generator down during utility outages. Shutdowns may be required during outages to perform routine maintenance or to conserve fuel.

**To turn the generator OFF (while running in AUTO and online):**

1. Turn the main utility disconnect off.
2. Turn the generator MLCB (generator disconnect) to OFF (OPEN).
3. Run the generator for approximately one minute for proper cooling.
4. Turn the generator OFF.

**To turn the generator back ON:**

1. Put the generator into AUTO. Start generator and warm-up for a few minutes.
2. Set the MLCB (generator disconnect) to ON (CLOSED).

The system now operates in automatic mode. The main utility disconnect can be turned ON (CLOSED).

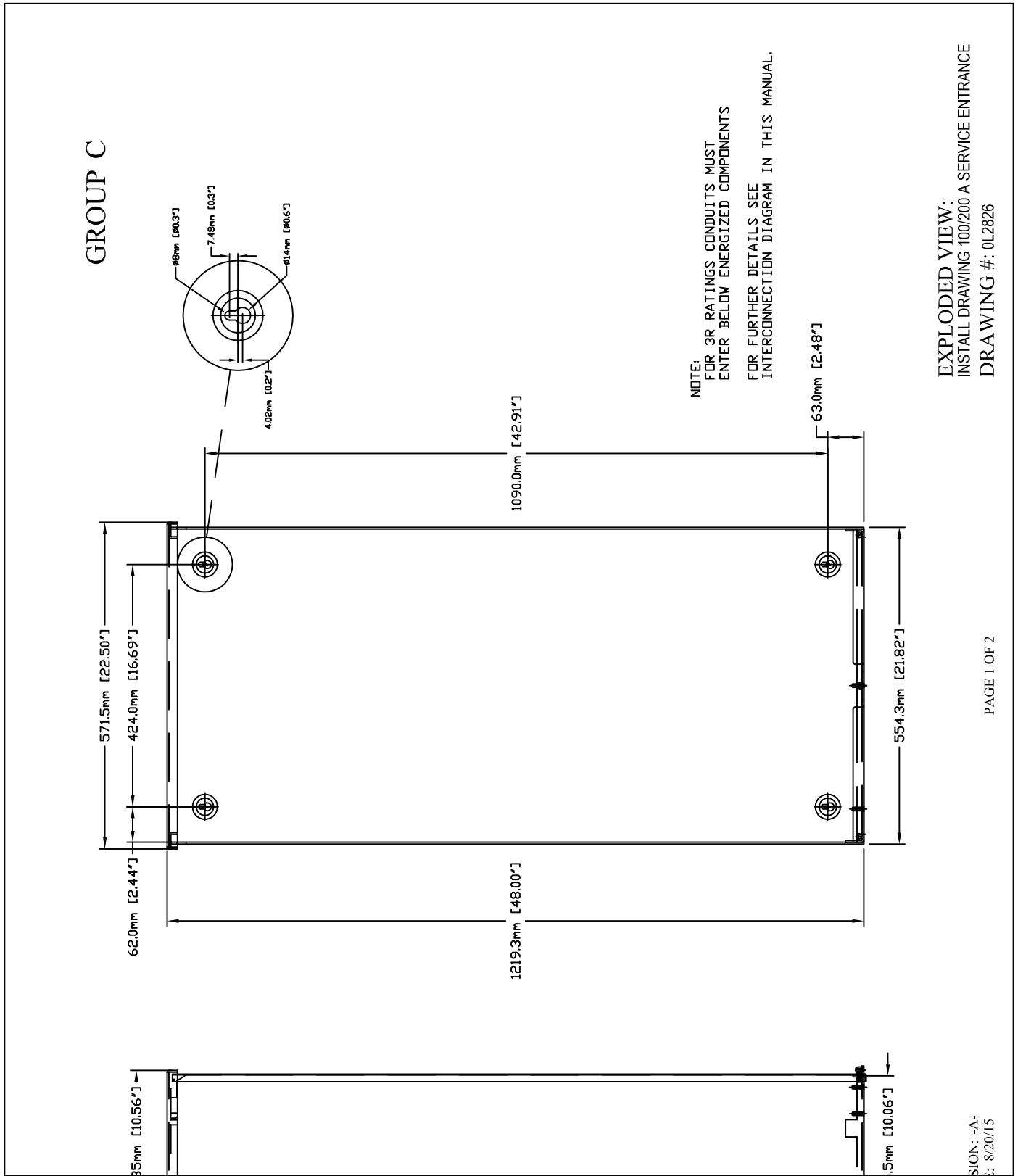
**NOTE:** To shut the unit off, repeat this complete process.



# Section 5: Drawings and Diagrams

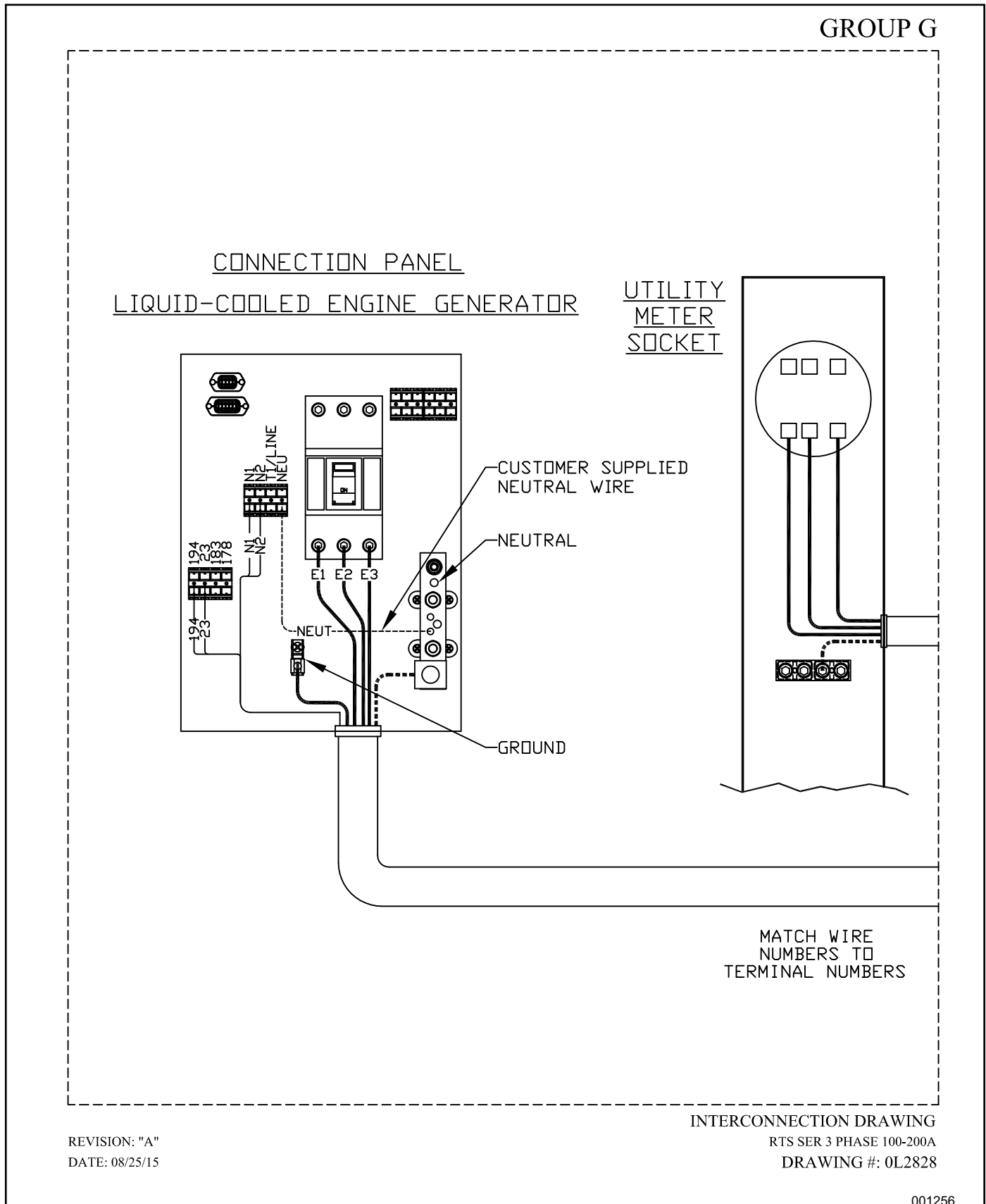
## Installation Drawing—100-200 A Three Phase

No. 0L2826-A



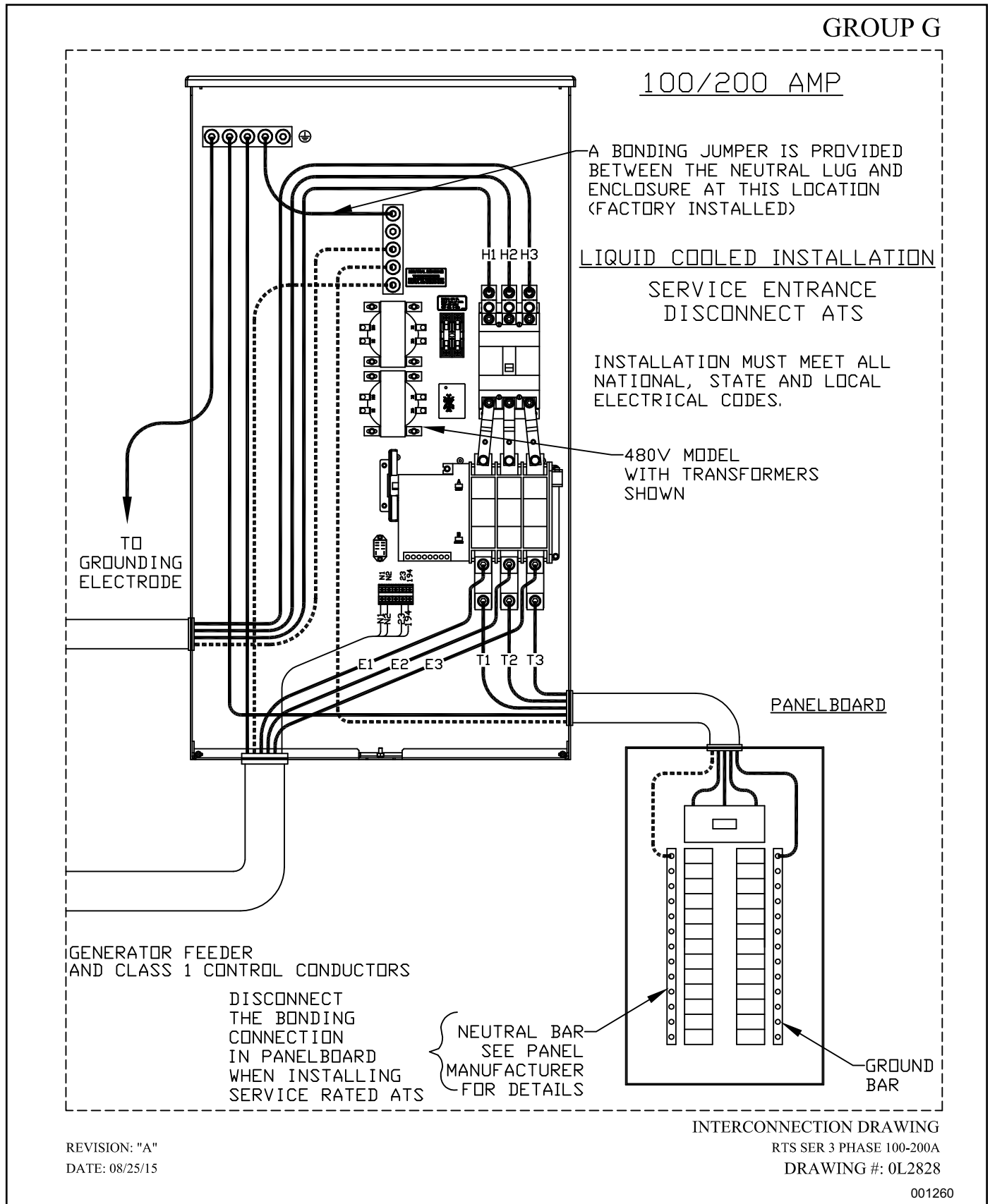
# Interconnection Drawing—100-200A RTS Series Three Phase

No. 0L2828 (Part 1 of 2)



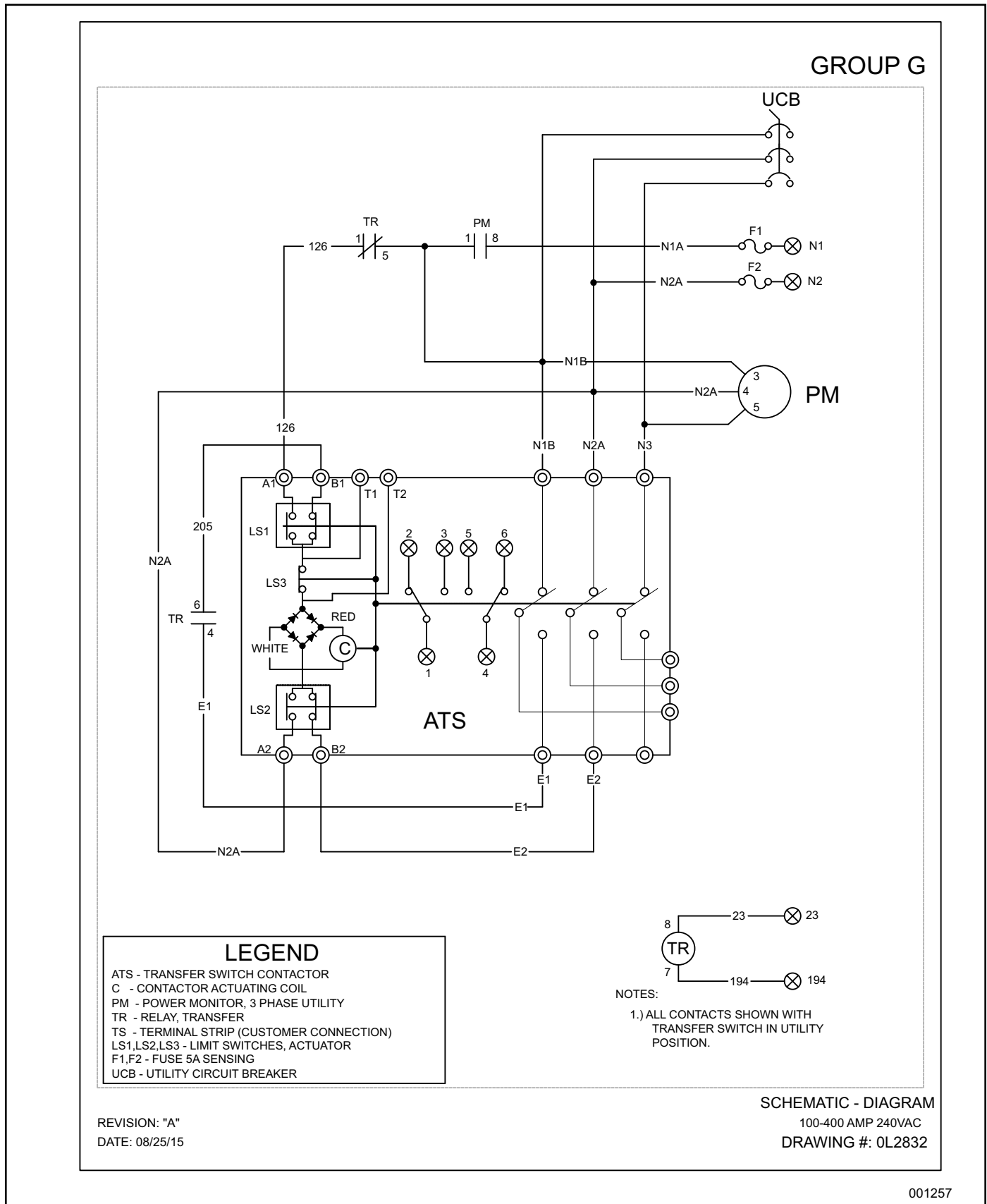
# Interconnection Drawing—100-200A RTS Series Three Phase

No. 0L2828 (Part 2 of 2)



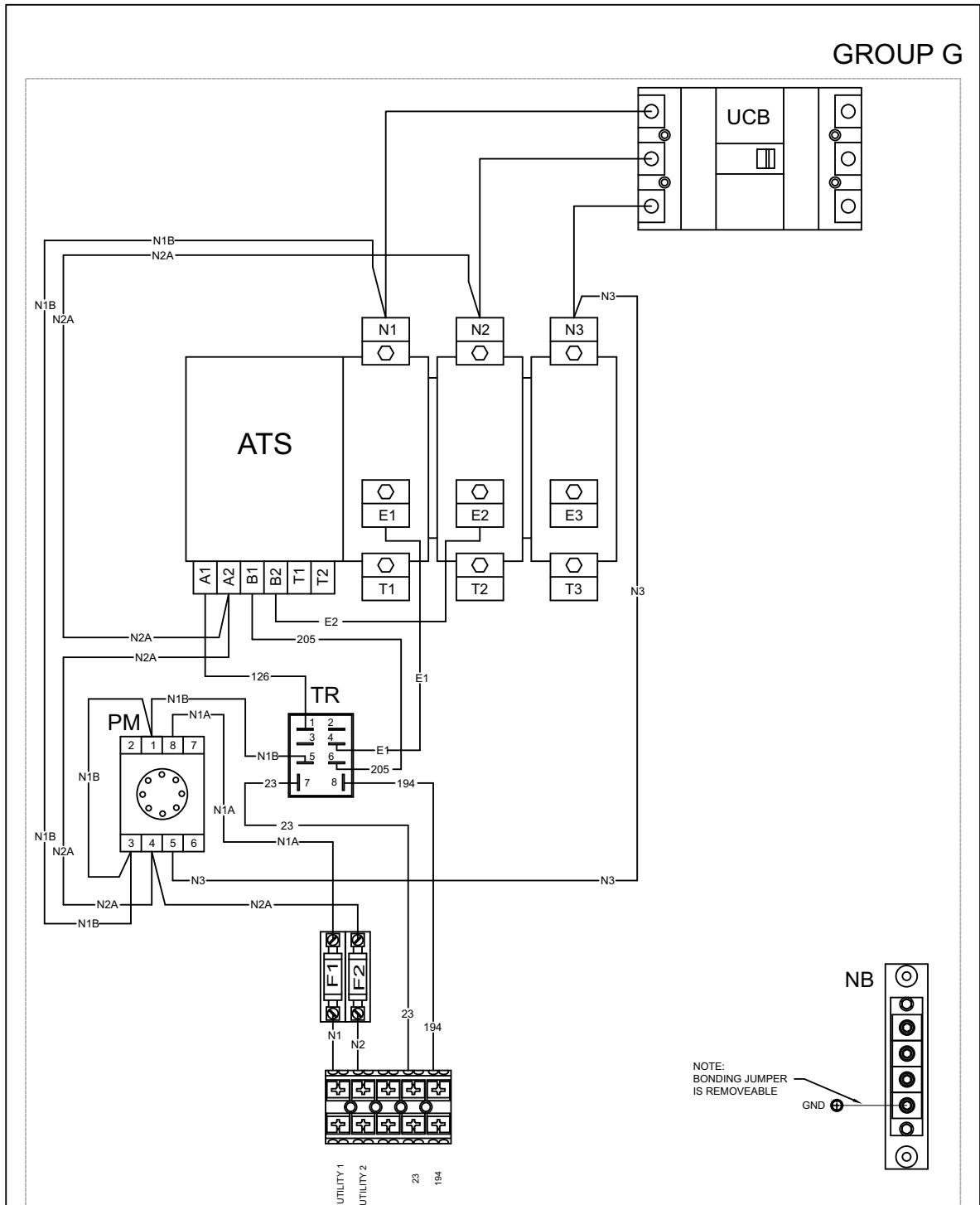
# Schematic Diagram—100-200A 240VAC

No. 0L2832 (Part 1 of 2)



# Wiring Diagram—100-200A 240VAC

No. 0L2832 (Part 2 of 2)



REVISION: "A"  
DATE: 08/25/15

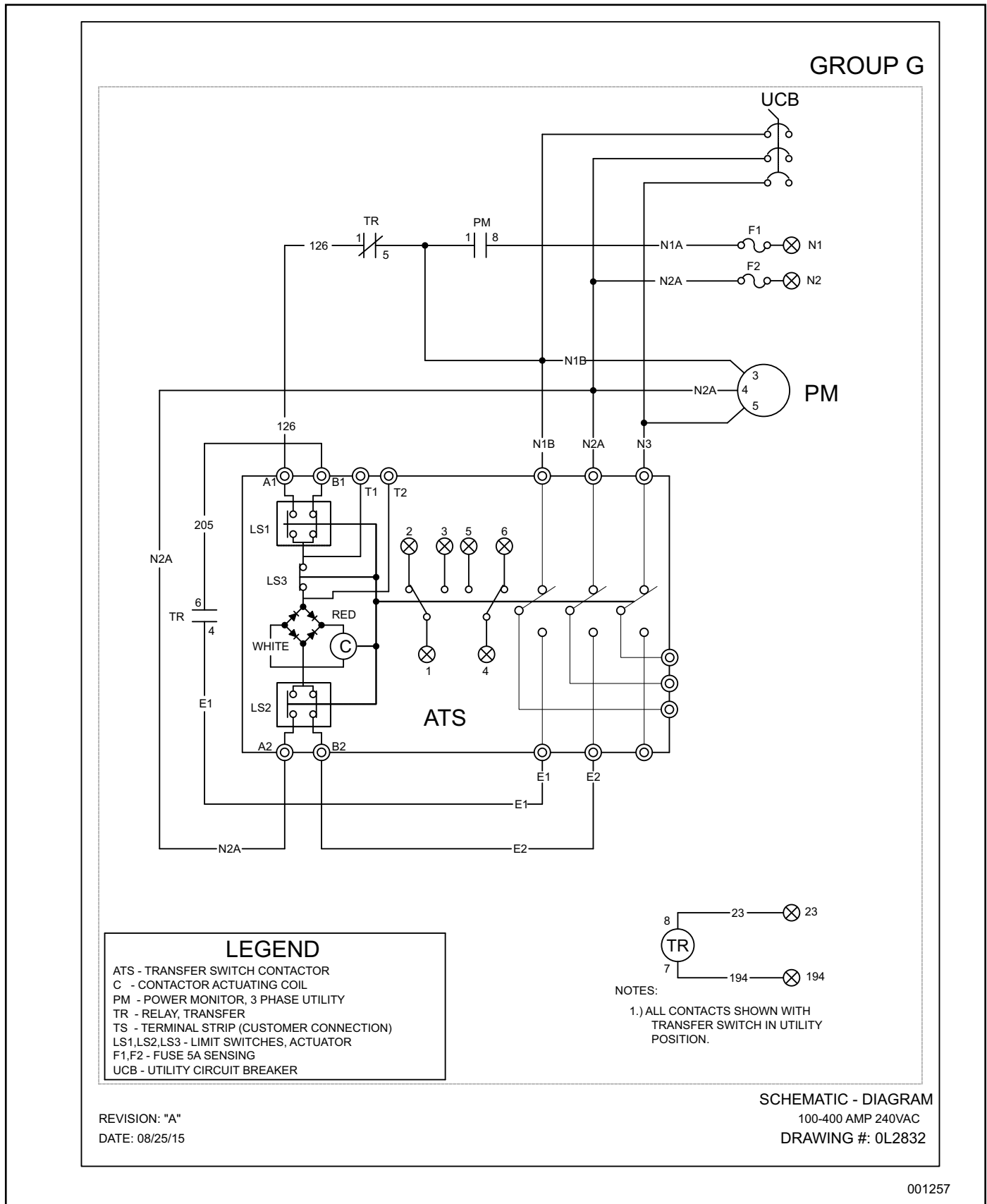
WIRING - DIAGRAM  
100-400 AMP 240VAC  
DRAWING #: 0L2832

NOTE:  
BONDING JUMPER  
IS REMOVEABLE

001263

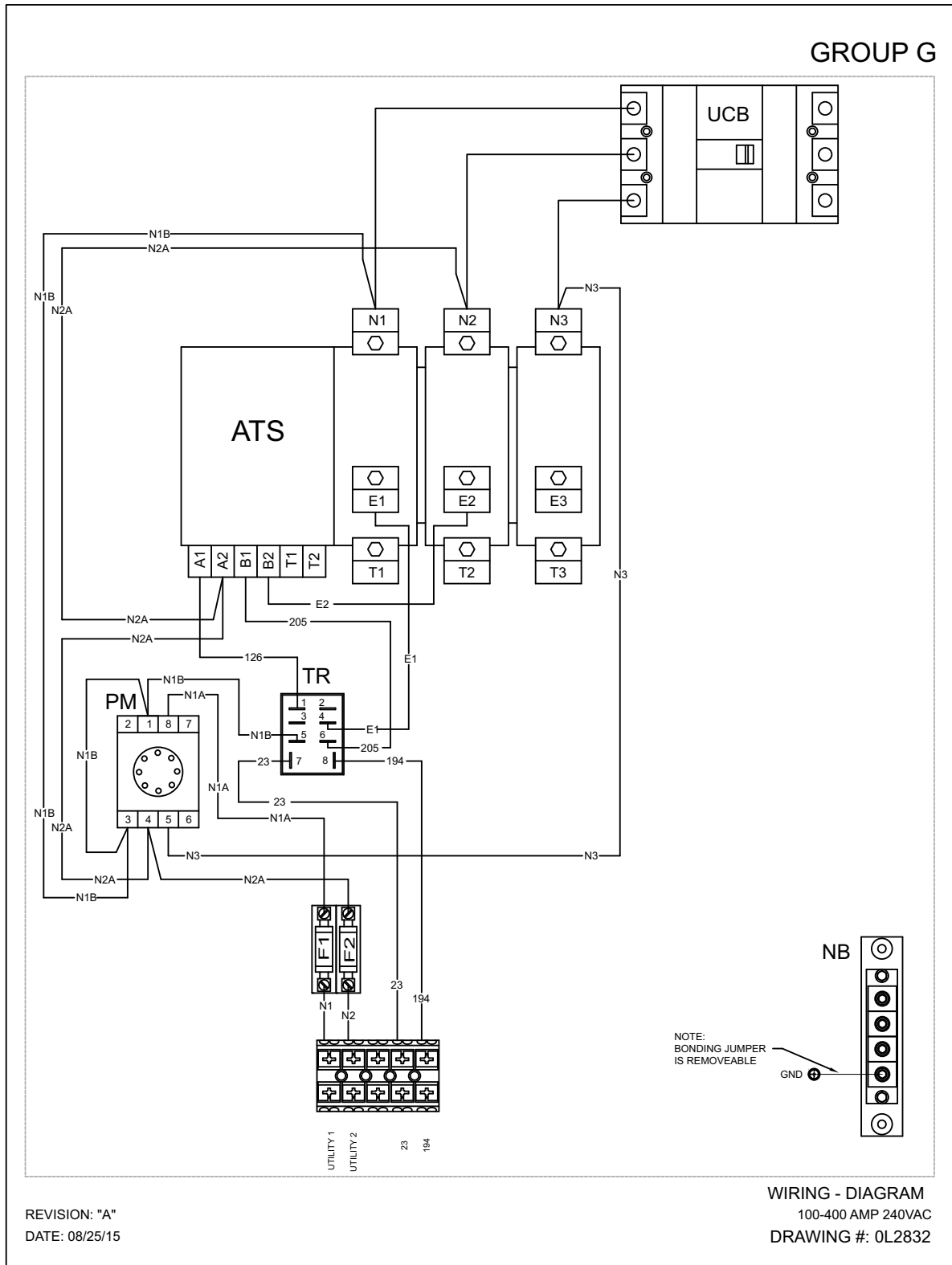
# Schematic Diagram—100-200A 240VAC

No. 0L2832 (Part 1 of 2)



# Wiring Diagram—100-200A 240VAC

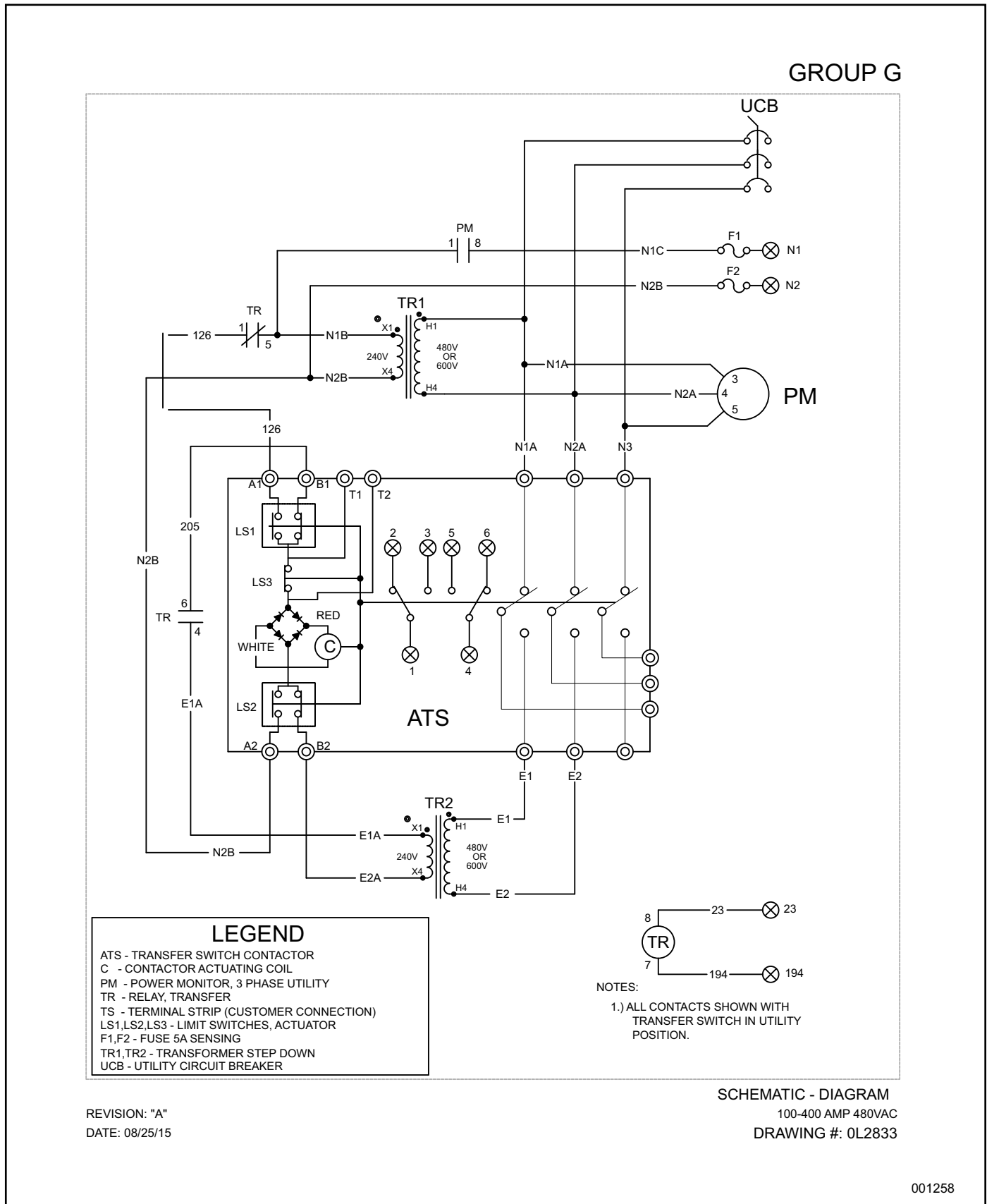
No. 0L2832 (Part 2 of 2)



001263

# Schematic Diagram—100-200A 240VAC

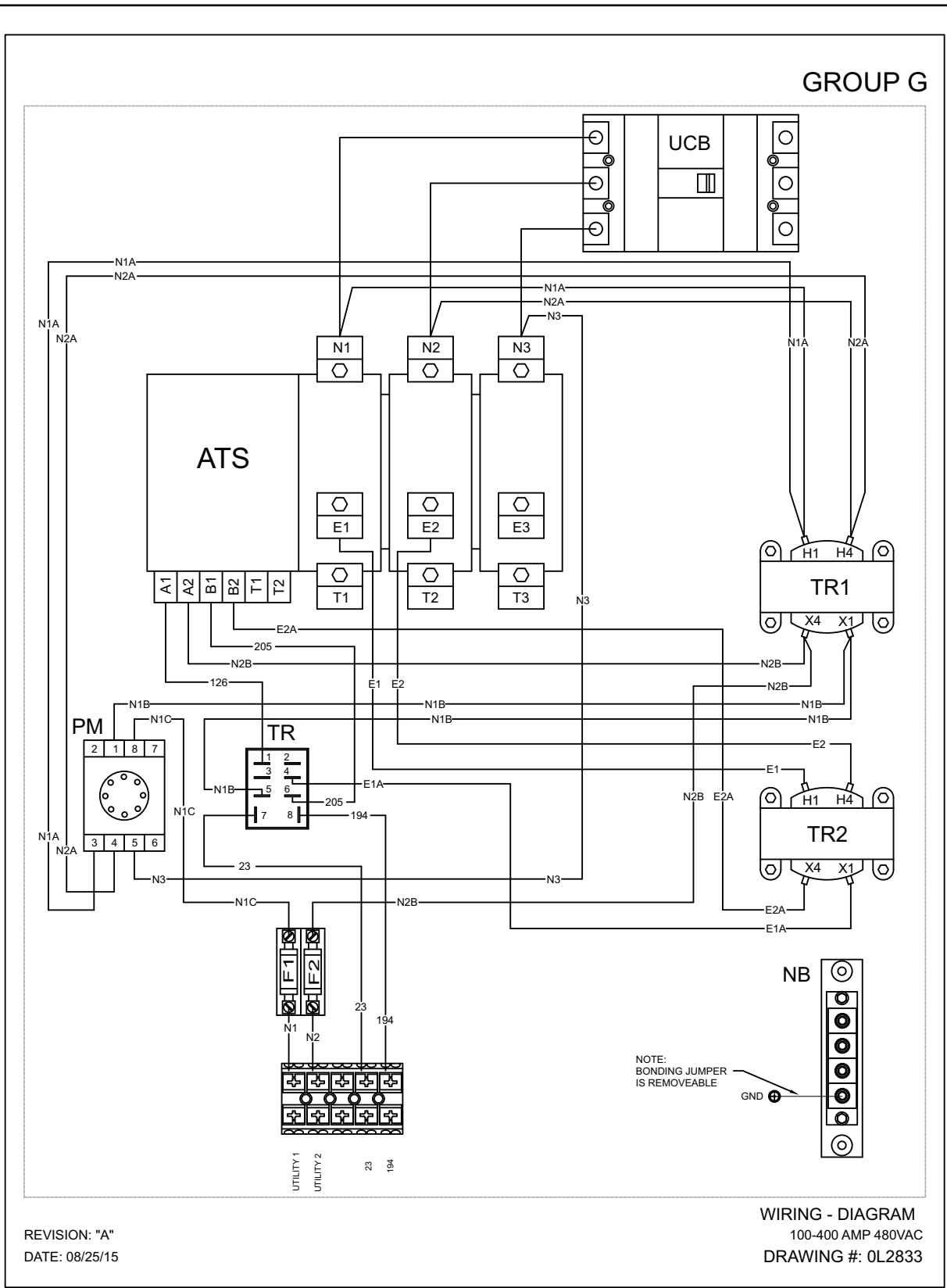
No. 0L2833 (Part 1 of 2)





# Schematic Diagram—100-200A 240VAC

No. 0L2833 (Part 2 of 2)



001264

**This page intentionally left blank.**



Part No. 0L1517 Rev. C 08/14/2023

©2023 Generac Power Systems, Inc.

All rights reserved.

Specifications are subject to change without notice.

No reproduction allowed in any form without prior  
written consent from Generac Power Systems, Inc.

**GENERAC®**

Generac Power Systems, Inc.  
S45 W29290 Hwy. 59  
Waukesha, WI 53189  
1-888-GENERAC (1-888-436-3722)  
[www.generac.com](http://www.generac.com)