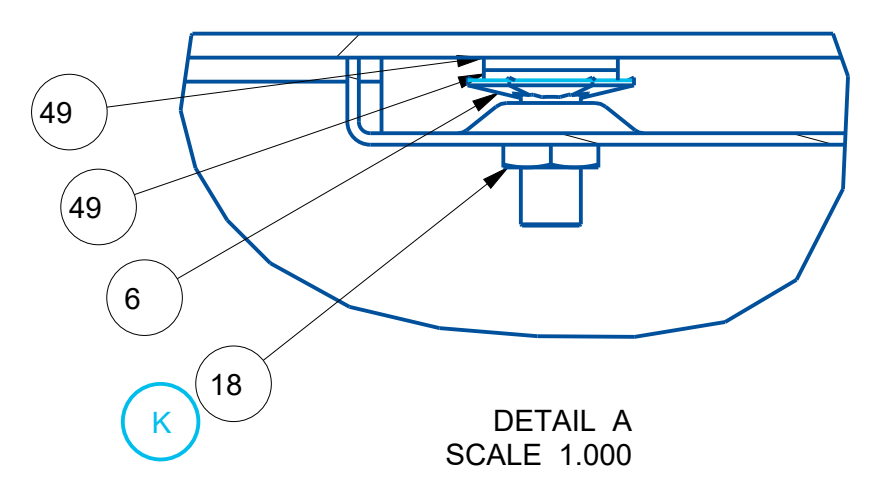
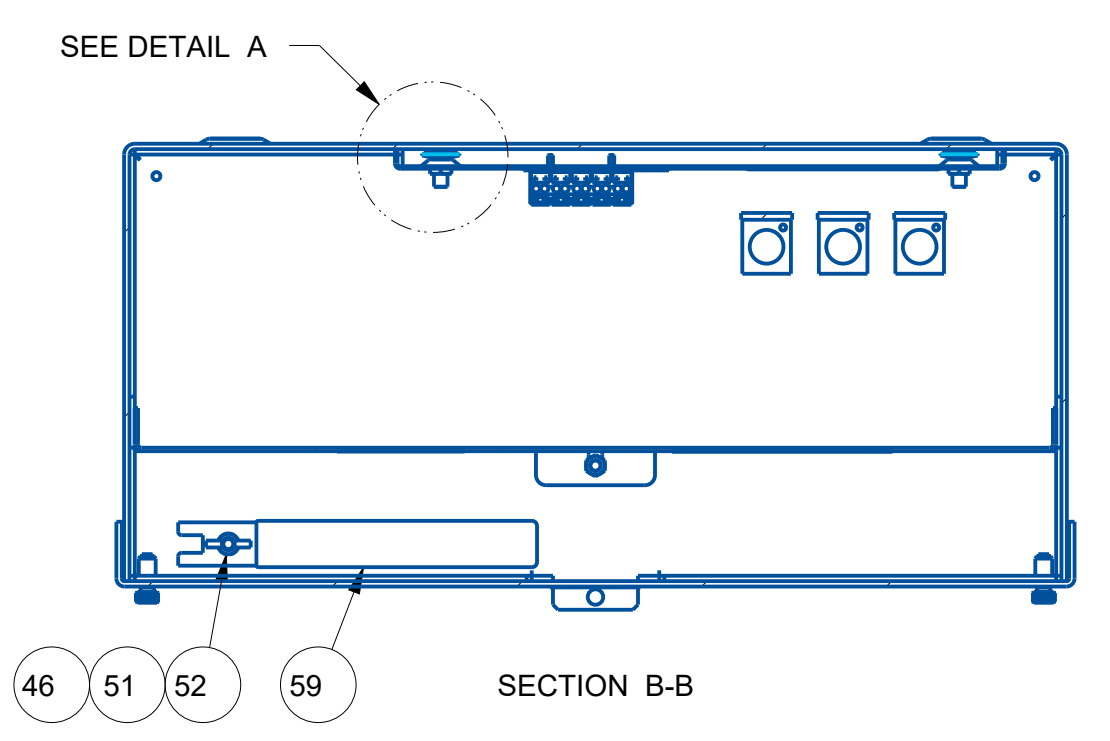
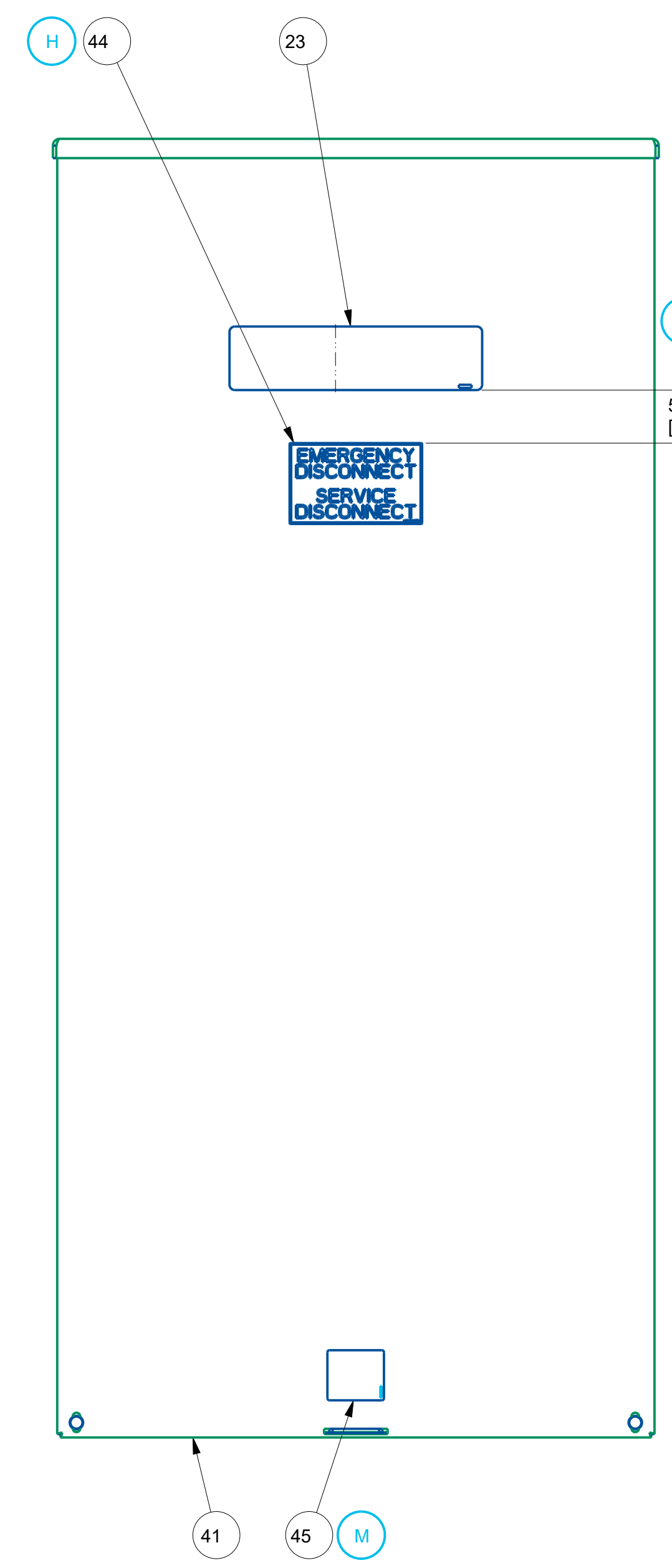
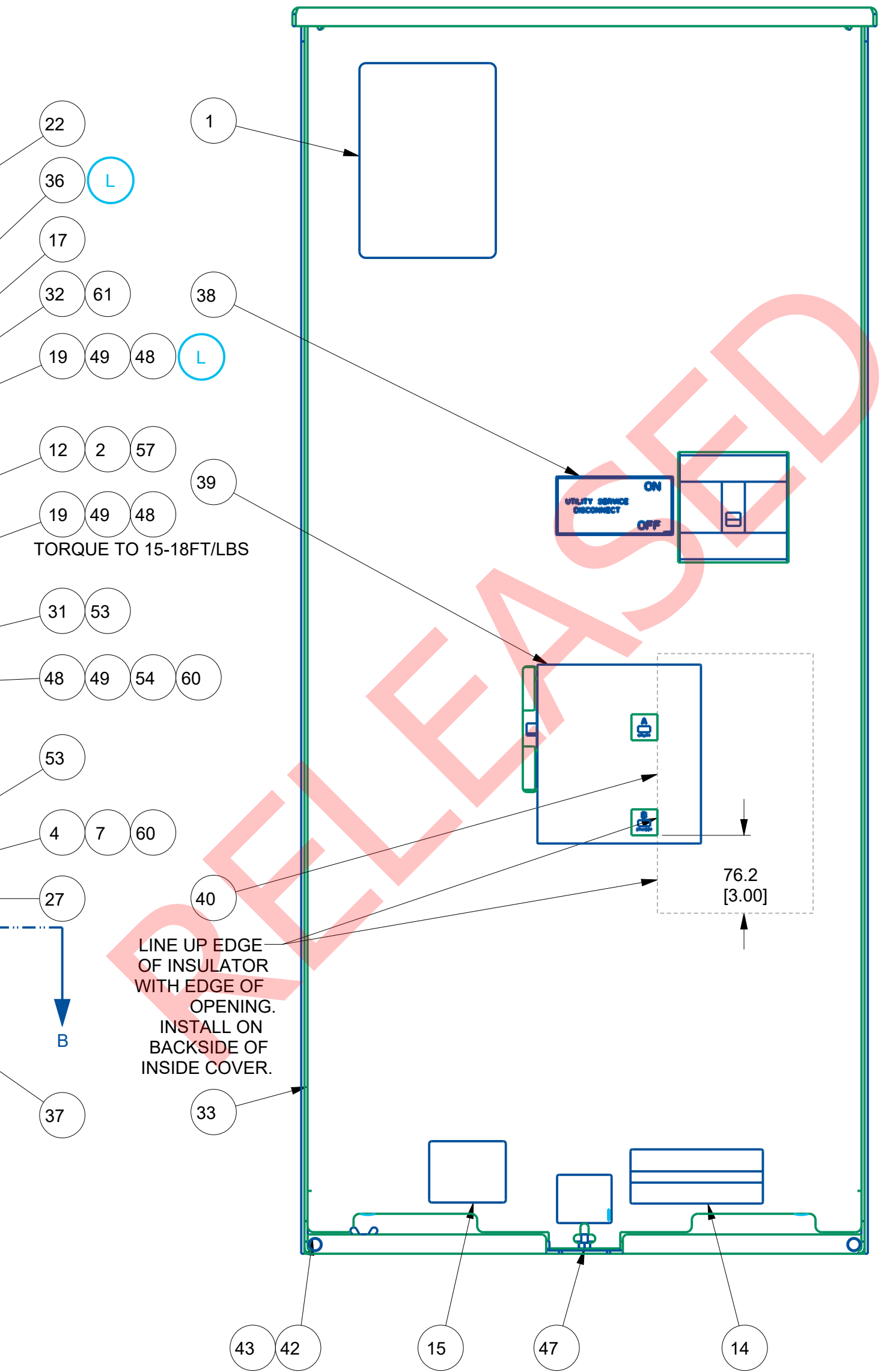
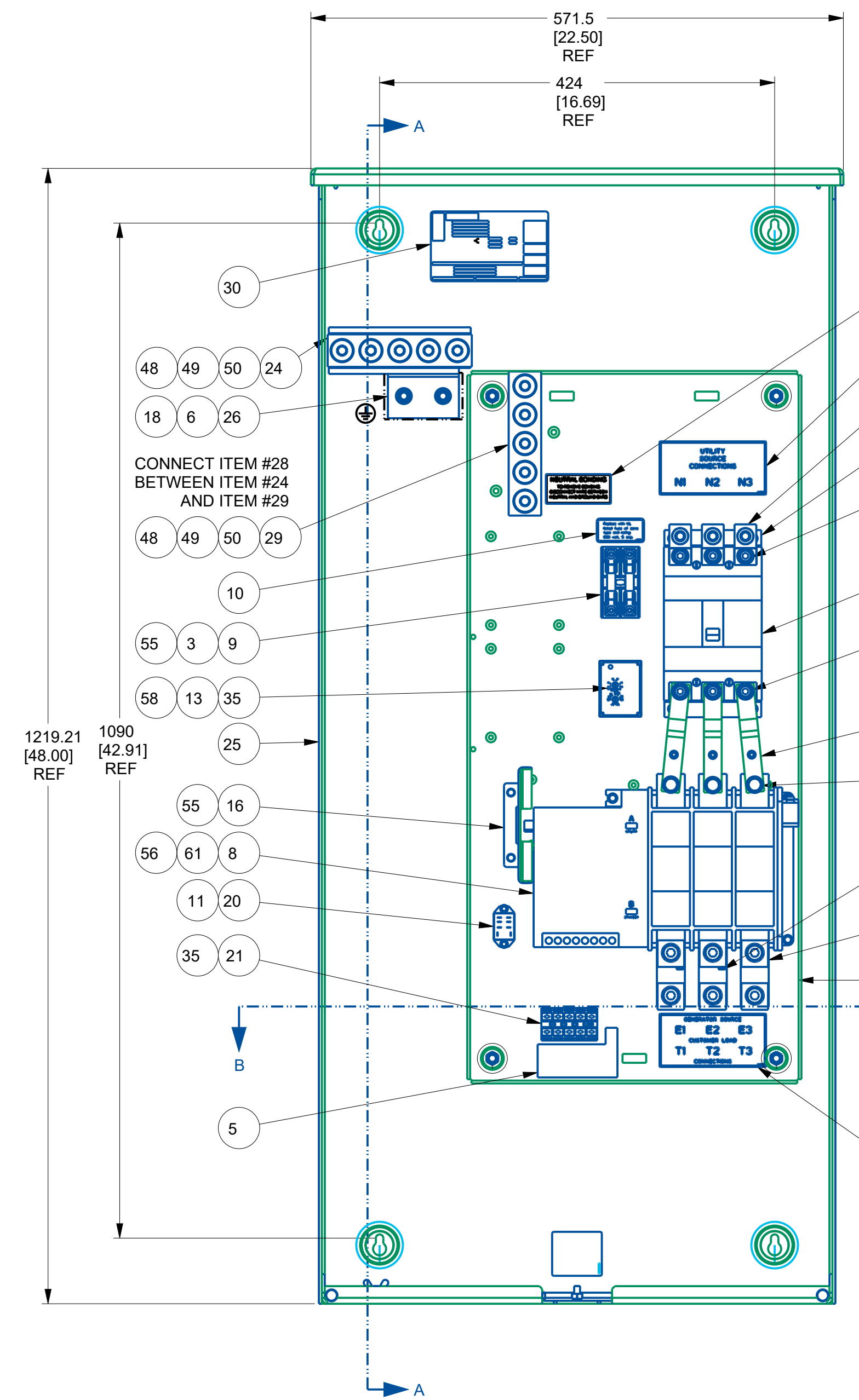
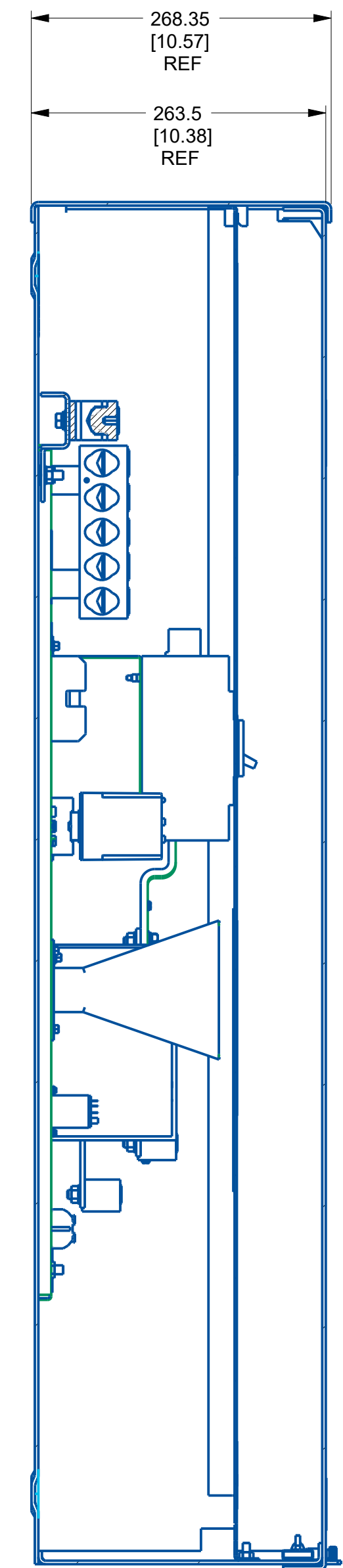


D



C



B

A

| ITEM # | PART # | QTY | DESCRIPTION | |
|--------|-------------|-------------|-----------------------------------|-----------------------------------|
| 1 | 1000001196 | 1 | DECAL TEST SEQUENCE 100-200A SE | |
| 2 | 058000C | 4 | NUT TRIC #8-32 X .380 | |
| 3 | 073590A | 2 | FUSE 5A X BUSS | |
| 4 | 0A9949 | 6 | LUG SLDLSS 400-#4X1/4-20 CU7AL | |
| 5 | 0C2262 | 1 | DECAL TERMINAL STRIP | |
| 6 | 0C3168 | 6 | WASHER LOCK SPECIAL 5/16 | |
| 7 | 0C4896 | 6 | SCREW FHM M8-1.25 X 20MM CR | |
| 8 | 0C8885 | 1 | XFER SW-W 200A600V3P | |
| ** | 9 | 0D2806 | 1 | FUSEBLOCK 30A 600V 2POS W/SQ |
| 10 | 0D3587 | 1 | DECAL, FUSE REPLACEMENT | |
| 11 | 0F2659 | 2 | SCREW HHTT M3-0.5 X 6 BP | |
| 12 | 0F4151 | 1 | CB 0200A 3P 480V G 225AF | |
| ** | 13 | 0F6760 | 1 | SOCKET RELAY 8P 600V-10A |
| 14 | 0G3259 | 1 | DECAL TERMINAL SHOCK HZD BI | |
| 15 | 0G3274 | 1 | DECAL LIVE CIRCUIT ENG/FRN/SPN | |
| 16 | 0G41370AL0R | 1 | BRACKET_XFER SW HANDLE GUIDE | |
| 17 | 0H6306 | 3 | LUG SLDLSS 350 MCM-6 AL/CU | |
| 18 | 0H6559 | 6 | NUT HEX FLANGE WHIZ 5/16-18 | |
| 19 | 0J4188 | 6 | SCREW SHC M8-1.25 X 18 C8.8 ZP | |
| ** | 20 | 0K0103 | 1 | RELAY PNL 12VDC DDPD 10A@240VA |
| ** | 21 | 0K0482 | 1 | TERM BLOCK 5P UL 12-20AWG |
| 22 | 0K1018 | 1 | DECAL, NEUTRAL CONNECTION | |
| * | 23 | 0K1098 | 1 | DECAL RTS TRANSFER SW GENERAC |
| 24 | 0K1352 | 1 | LUG SLDLSS 600/250-1/0 5 POSITION | |
| 25 | 0K14000AL0R | 1 | WELDMNT 3R 400A SE ENCLOSURE | |
| 26 | 0L0309 | 1 | ALUMINUM GROUNDING MOUNT | |
| 27 | 0L1463 | 1 | SUBPLATE 100A/200A GALV | |
| **** | 28 | 0L1510 | 1 | WIRE NEUTRAL TO GROUND CONNECTION |
| 29 | 0L1513 | 1 | NEUTRAL ASSEMBLY 400A | |
| J | 30 | 0L1950A | 1 | DATA DECAL TSWS SE |
| 31 | 0L2193 | 3 | BUS 100A/200A | |
| 32 | 0L2753 | 1 | CIRCUIT BRKR RISER 100A/200A GALV | |
| 33 | 0L27560AL0R | 1 | INSIDE COVER 200A SER | |
| **** | 34 | 0L2834 | 1 | HARNESS 100/200A 240V SER |
| 35 | 0L3068 | 4 | SCREW HDPHT M3-0.5 X 25 ZP | |
| 36 | 0L4848A | 1 | DECAL UTILITY SOURCE CONNECTIONS | |
| 37 | 0L4848B | 1 | DECAL GEN/CUSTOMER CONNECTIONS | |
| 38 | 0L4848C | 1 | DECAL UTILITY DISCONNECT | |
| 39 | 0L4849 | 1 | DECAL MANUAL OPERATION | |
| 40 | 0L5104 | 1 | DEADFRONT INSULATOR 100A/200A | |
| 41 | 0L59980AL0R | 1 | COVER SER 3R ENCL AL | |
| 42 | 0L6699 | 2 | NUT TRIC 1/4-20 ALUM | |
| 43 | 0L6700 | 2 | SCREW THUMB 1/4-20 X 3/4 KNURL | |
| 44 | A0002240221 | 1 | DECALS SERVICE ENTRANCE 2023 NEC | |
| M | 45 | A0002863688 | 1 | DECAL PROP 65 CADMIUM EN/SP/FR |
| 46 | G022097 | 1 | WASHER LOCK SPRING 1/4 ZC | |
| 47 | G022127 | 1 | NUT HEX 1/4-20 STEEL | |
| 48 | G022129 | 13 | WASHER LOCK SPRING 5/16 ZC | |
| 49 | G022145 | 21 | WASHER FLAT 5/16-M8 STEEL ZINC | |
| 50 | G022165 | 4 | SCREW HHC 5/16-18 X 1/2 G8 | |
| 51 | G022473 | 1 | WASHER FLAT 1/4-M6 STEEL ZINC | |
| 52 | G025870 | 1 | NUT WING 1/4-20 | |
| J | 53 | G026902 | 5 | SCREW HHTT #8-32 X 1/4 CZ |
| L | 54 | G043107 | 3 | SCREW HHC M8-1.25 X 25 C8.8 |
| L | 55 | G045764 | 4 | SCREW HHTT M4-0.7 X 8 ZP |
| 56 | G049226 | 3 | WASHER LOCK M5 | |
| 57 | G053640 | 4 | SCREW RHM #8-32 X 3-1/4 | |
| 58 | G063306 | 1 | PHASE MONITOR RELAY | |
| 59 | G063321 | 1 | HANDLE XFER SWITCH 1-400A | |
| L | 60 | G067989 | 9 | NUT HEX FL WHIZ M8-1.25 |
| 61 | G074908 | 7 | SCREW HHTT M5-0.8 X 10 BP | |

*-SERIAL NUMBER AND FRONT DECAL PER MODEL
 **-SUPPLIED WITH HARNESS ITEM
 ***-SUPPLIED WITH TRANSFER SWITCH ITEM
 ****-NOT SHOWN

DRAWING CREATED FROM PROENGINEER 3D FILE. ECO MODIFICATION TO BE APPLIED TO SOLID MODEL ONLY.

| DATE | DESCRIPTION | BY | APP'D | REV |
|----------|--|----------|------------|----------|
| 04/12/16 | 0000938-B ADDED 1000001196 DECAL TORQUE VALUES | 7/6/18 | 0017785-G | 01/09/24 |
| 05/09/16 | 0001395-C STRUCTURE CHANGE ONLY | 01/19/22 | CN-53330-H | |
| 07/14/16 | 0002529-D STRUCTURE CHANGE ONLY | 03/24/23 | CN-68466-J | |
| 8/4/16 | 0002825-E STRUCTURE CHANGE ONLY | 08/05/23 | CN-71314-K | |
| 9/1/16 | 0003230-F REMOVED 058000C AND 0E7213 | 08/06/23 | CN-74879-L | |

GENERAL TOLERANCES UNLESS NOTED
 THIRD ANGLE PROJECTION

GENERAC

TITLE: ASSY 200A 120/240 SE 3R GEN

MATERIAL: SEE ABOVE
 GENERAC MATL SPECIFICATION AS ABOVE
 PAINT SURFACE FINISH N/A

APPROVALS: [Signature] DATE: 8/21/15

ALL APPROVALS ELECTRONICALLY STORED INSIDE WINDCHILL

SIZE: D CAGE NO: N/A DWG NO: 0L2759B REV: M
 LIFECYCLE STATE: Production Released (17)
 SCALE: 0.225 WT: 8.6329778.56 SHEET: 1 of 1