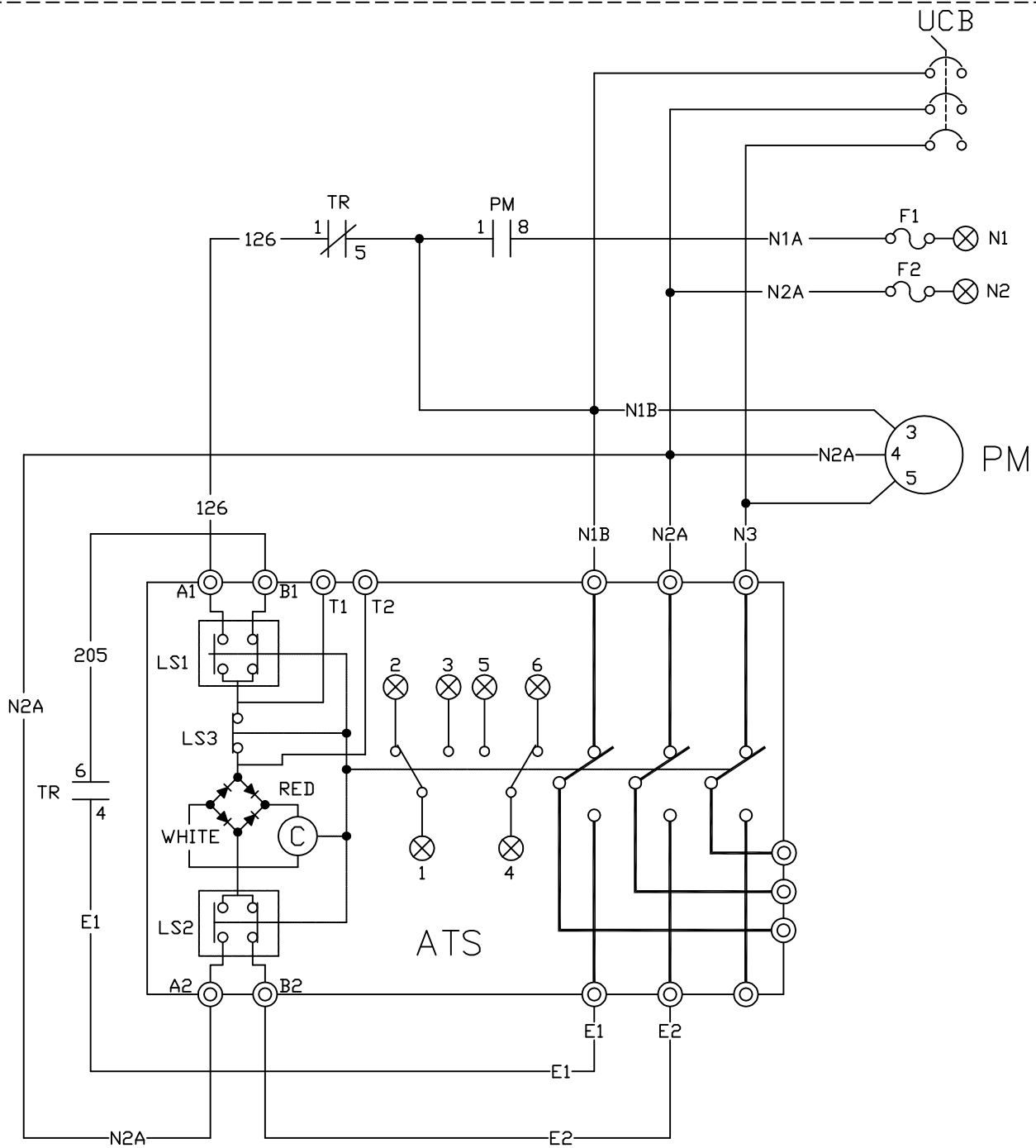
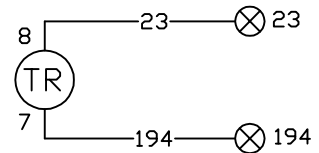


GROUP G



LEGEND

ATS - TRANSFER SWITCH CONTACTOR
 C - CONTACTOR ACTUATING COIL
 PM - POWER MONITOR, 3 PHASE UTILITY
 TR - RELAY, TRANSFER
 TS - TERMINAL STRIP (CUSTOMER CONNECTION)
 LS1,LS2,LS3 - LIMIT SWITCHES, ACTUATOR
 F1,F2 - FUSE 5A SENSING
 UCB - UTILITY CIRCUIT BREAKER



NOTES:

- 1.) ALL CONTACTS SHOWN WITH TRANSFER SWITCH IN UTILITY POSITION.

SCHEMATIC - DIAGRAM

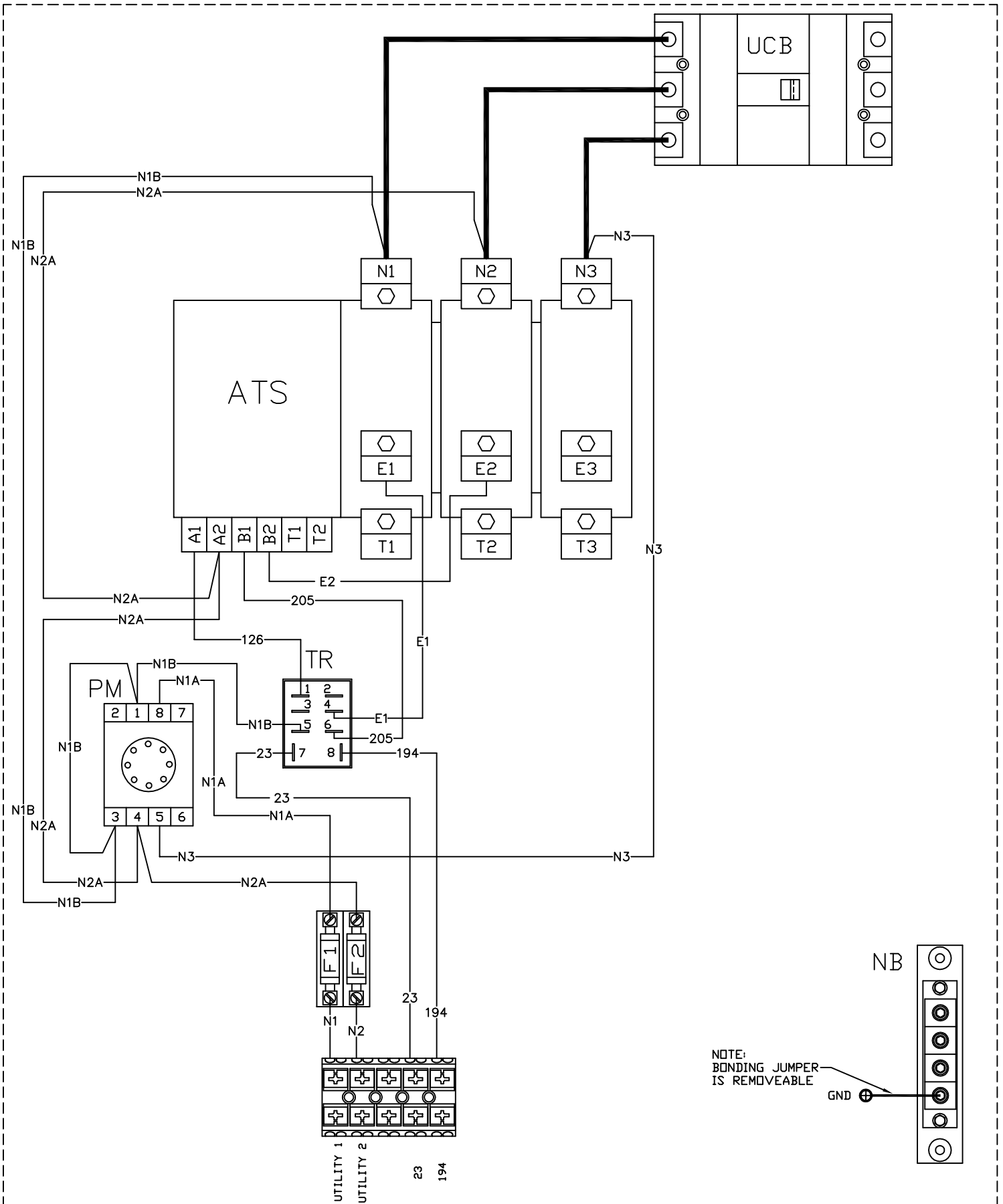
100-400 AMP 240VAC

DRAWING #: 0L2832

REVISION: "A"

DATE: 08/25/15

GROUP G



NOTE:
BONDING JUMPER
IS REMOVEABLE

WIRING - DIAGRAM
100-400 AMP 240VAC
DRAWING #: 0L2832