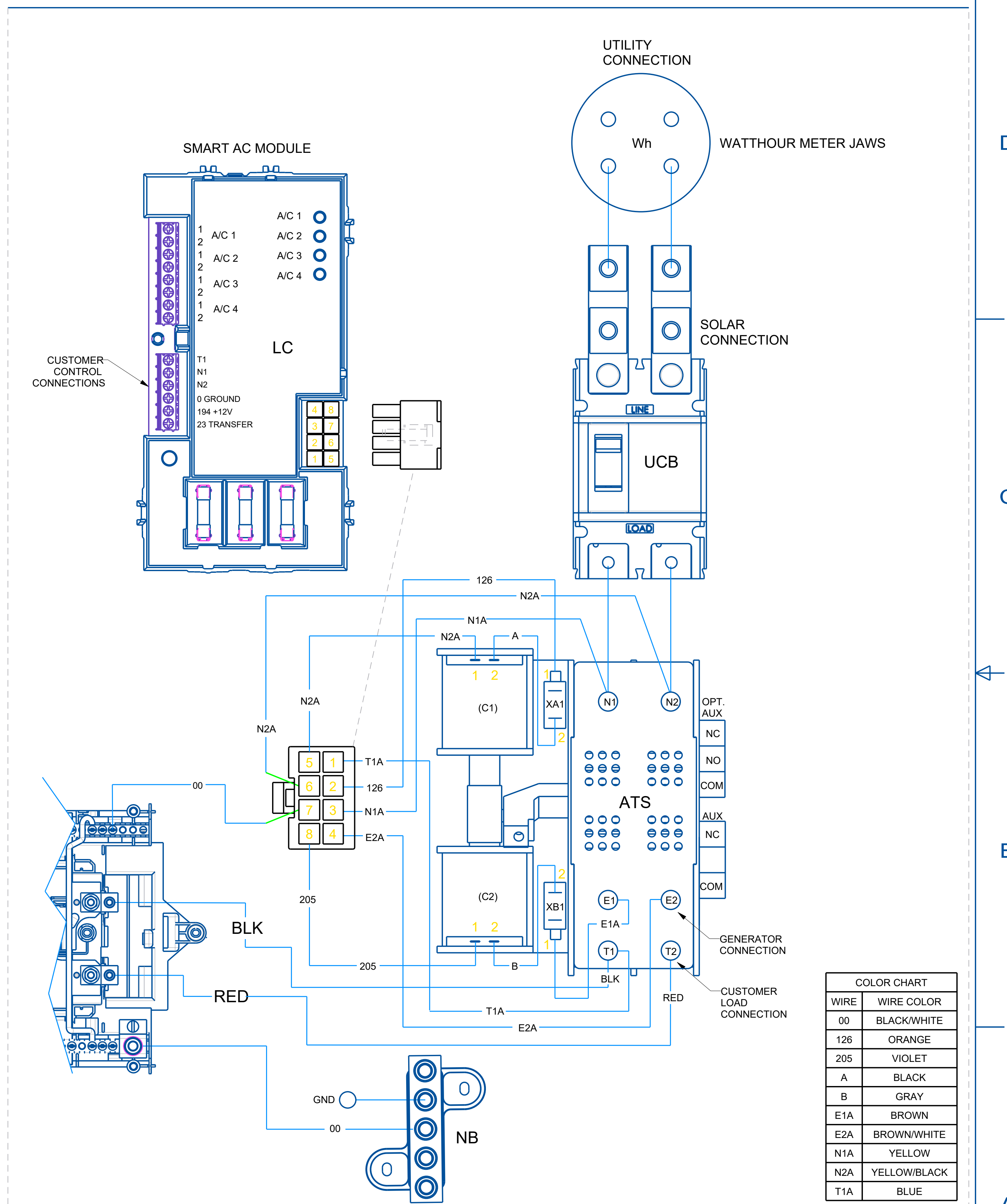
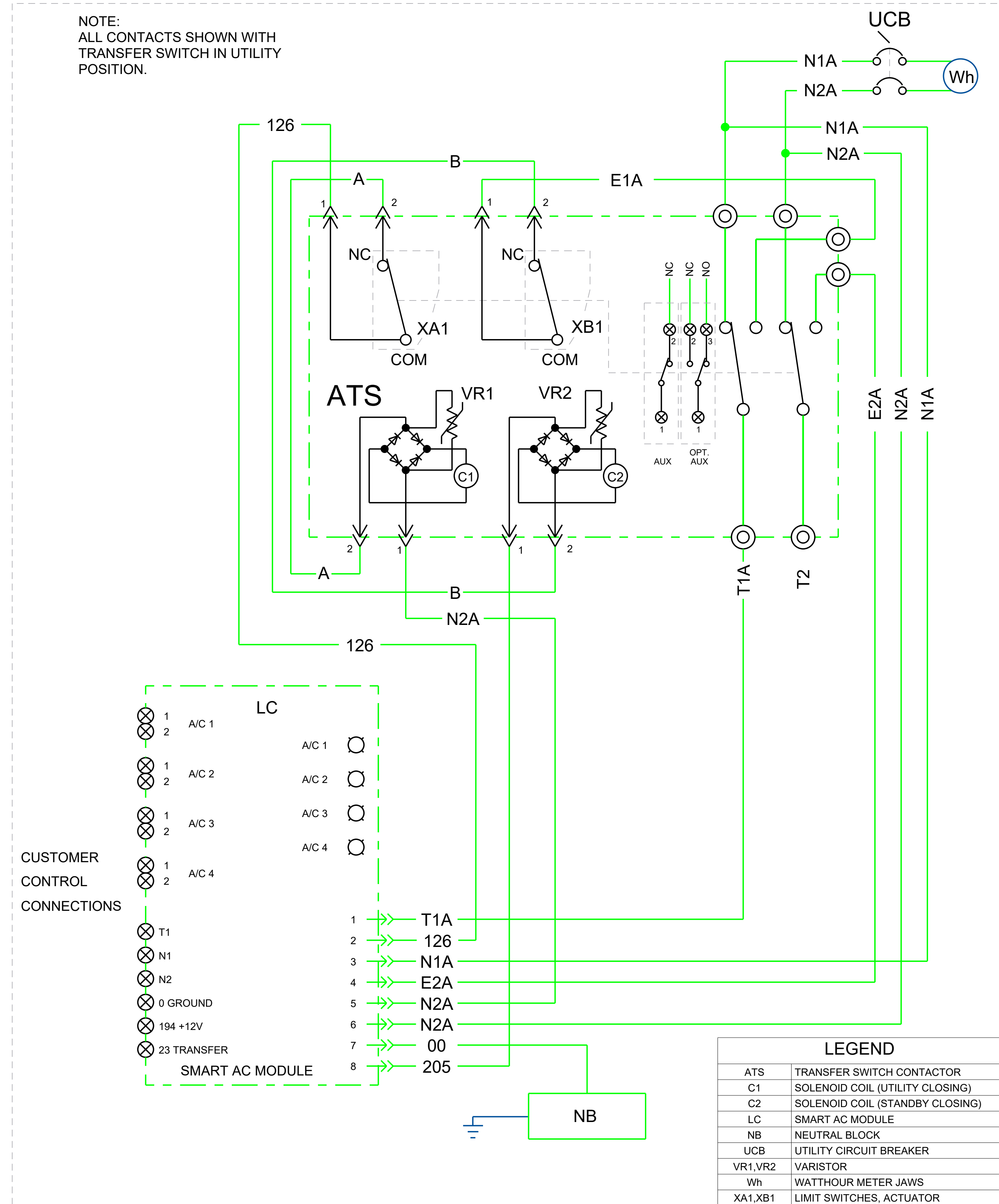


NOTE:
ALL CONTACTS SHOWN WITH
TRANSFER SWITCH IN UTILITY
POSITION.



DRAWING CREATED FROM PROENGINEER
3D FILE. ECO MODIFICATION TO BE
APPLIED TO SOLID MODEL ONLY.

GENERAL TOLERANCES UNLESS NOTED

THIRD ANGLE PROJECTION

GENERAC

TITLE: SD/ WD RXUW200A3

MATERIAL: SEE ABOVE

GENERAC MATL SPECIFICATION AS ABOVE

PAINT SURFACE FINISH AS ABOVE

APPROVALS: JMB DATE: 05/17/2019

DATE: 05/17/2019

ALL APPROVALS ELECTRONICALLY STORED INSIDE WINDCHILL

LIFECYCLE STATE: Production Released (17)

FIRST USE: 2019

SIZE: D

CAGE NO: N/A

DWG NO: A0000592333

REV: A

SCALE: 0.250

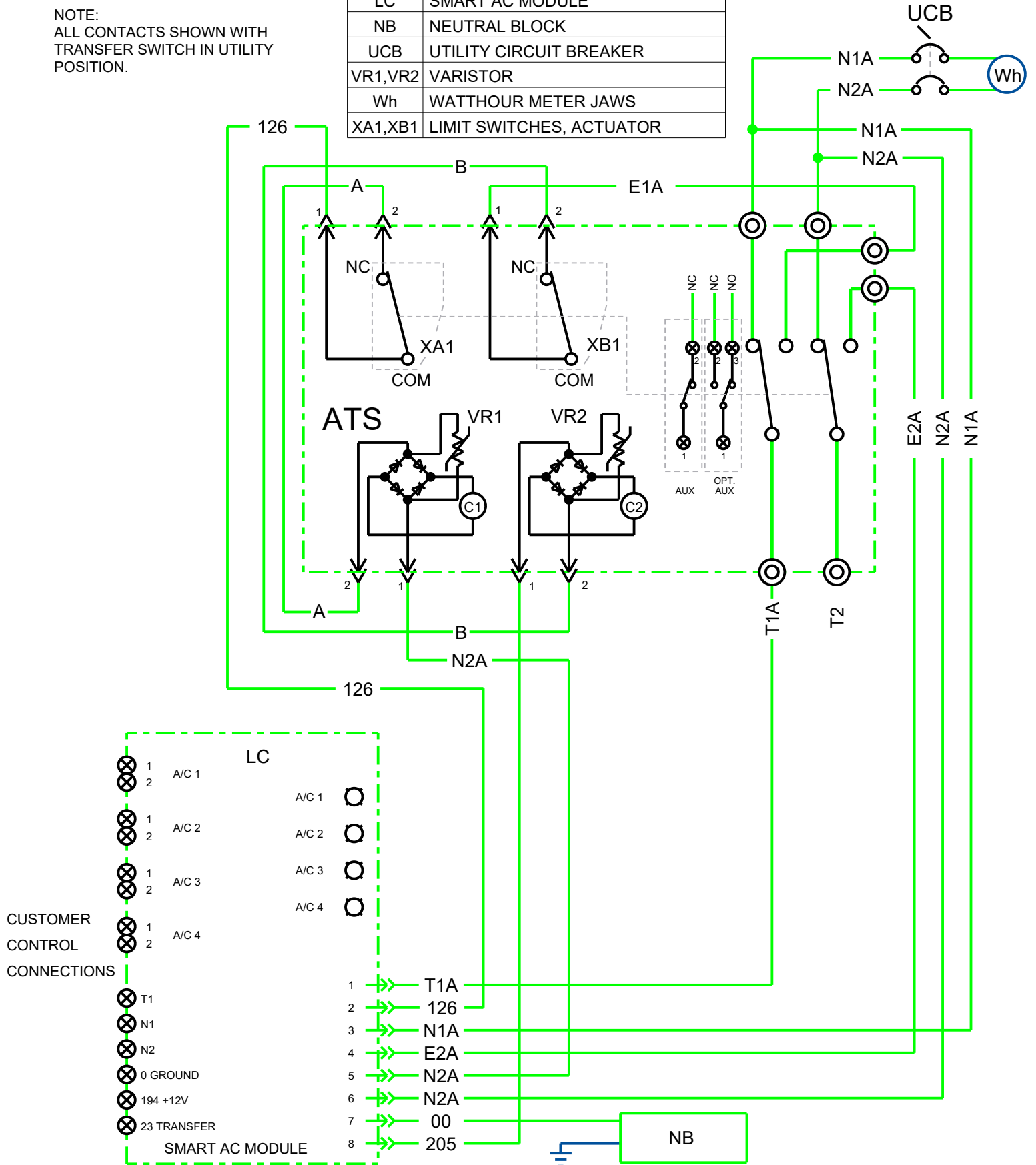
WT-KG: 0.00

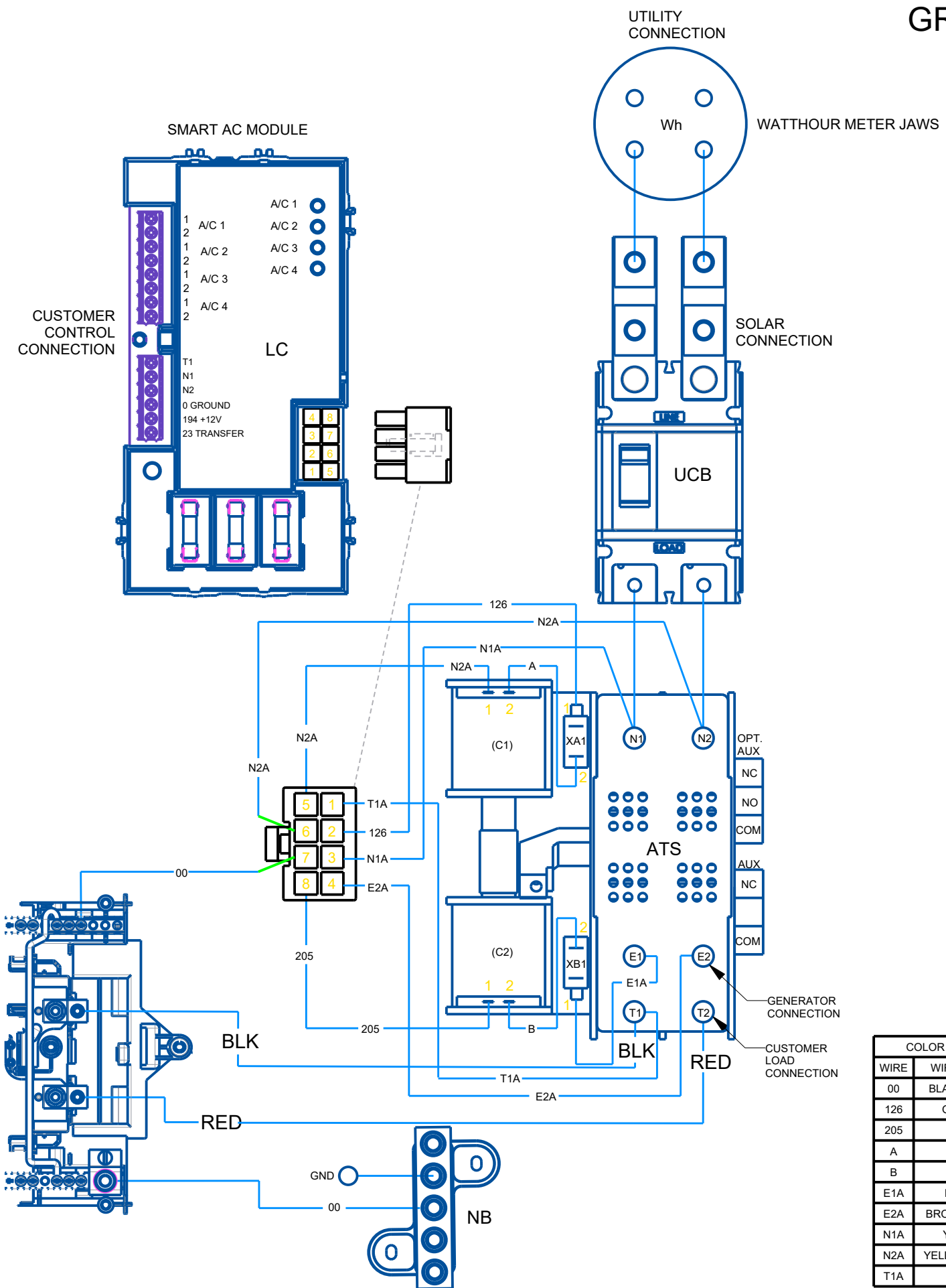
SHEET 1 of 3

GROUP G

LEGEND	
ATS	TRANSFER SWITCH CONTACTOR
C1	SOLENOID COIL (UTILITY CLOSING)
C2	SOLENOID COIL (STANDBY CLOSING)
LC	SMART AC MODULE
NB	NEUTRAL BLOCK
UCB	UTILITY CIRCUIT BREAKER
VR1,VR2	VARISTOR
Wh	WATTHOUR METER JAWS
XA1,XB1	LIMIT SWITCHES, ACTUATOR

NOTE:
ALL CONTACTS SHOWN WITH
TRANSFER SWITCH IN UTILITY
POSITION.





COLOR CHART	
00	BLACK/WHITE
126	ORANGE
205	VIOLET
A	BLACK
B	GRAY
E1A	BROWN
E2A	BROWN/WHITE
N1A	YELLOW
N2A	YELLOW/BLACK
T1A	BLUE