

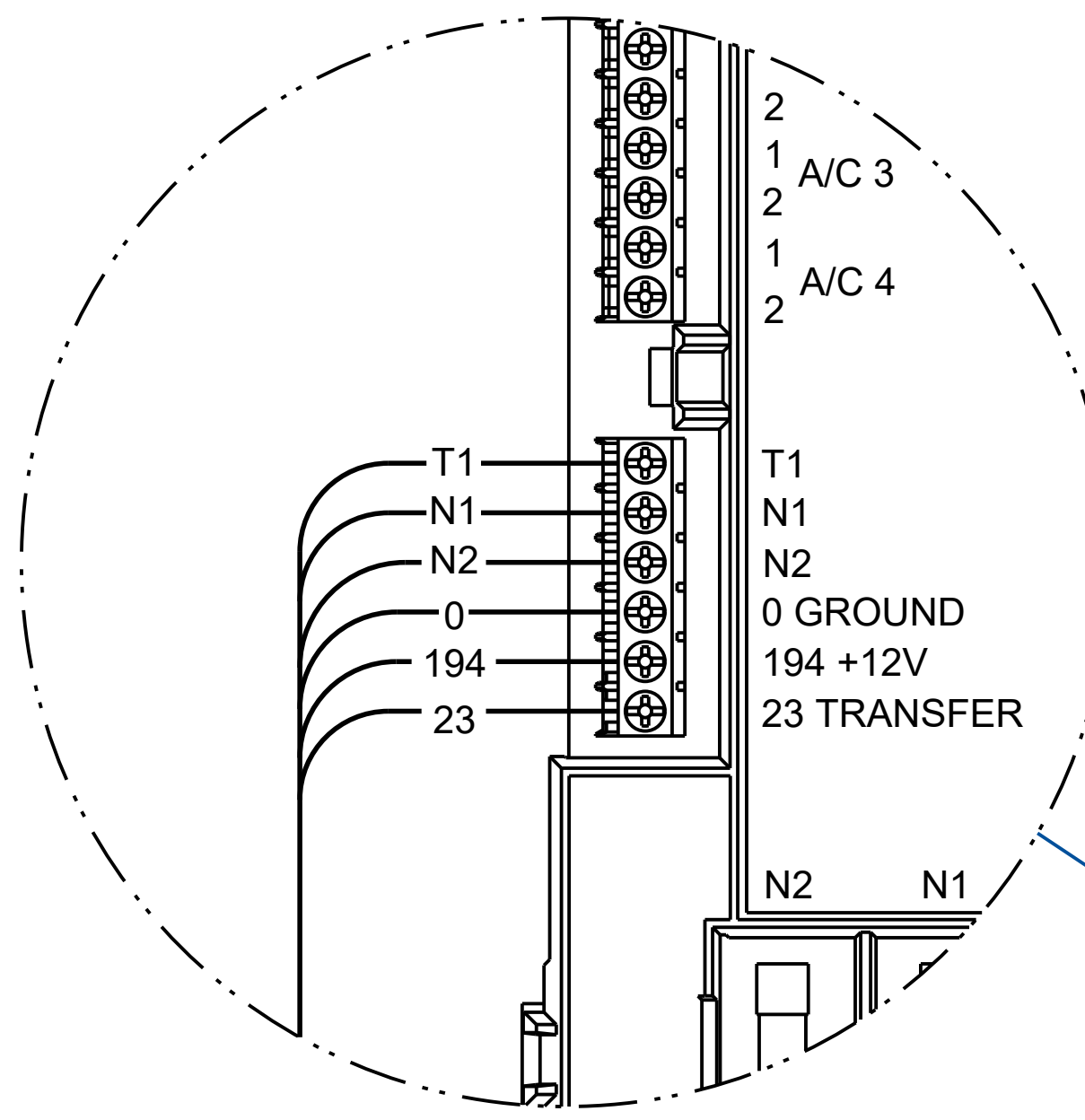
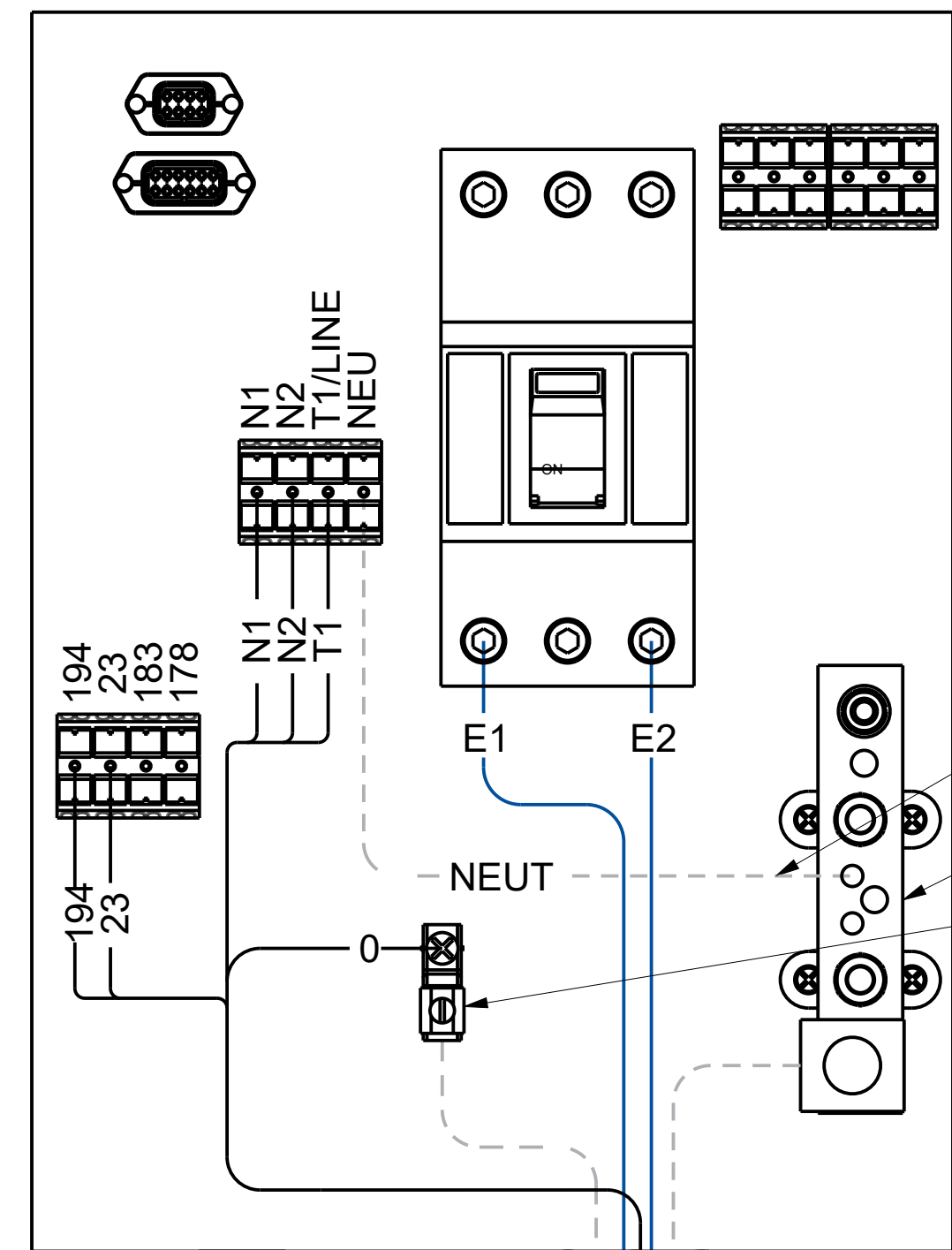
NEUTRAL CONNECTION
GROUND CONNECTION

SERVICE ENTRANCE SWITCH INTERCONNECT

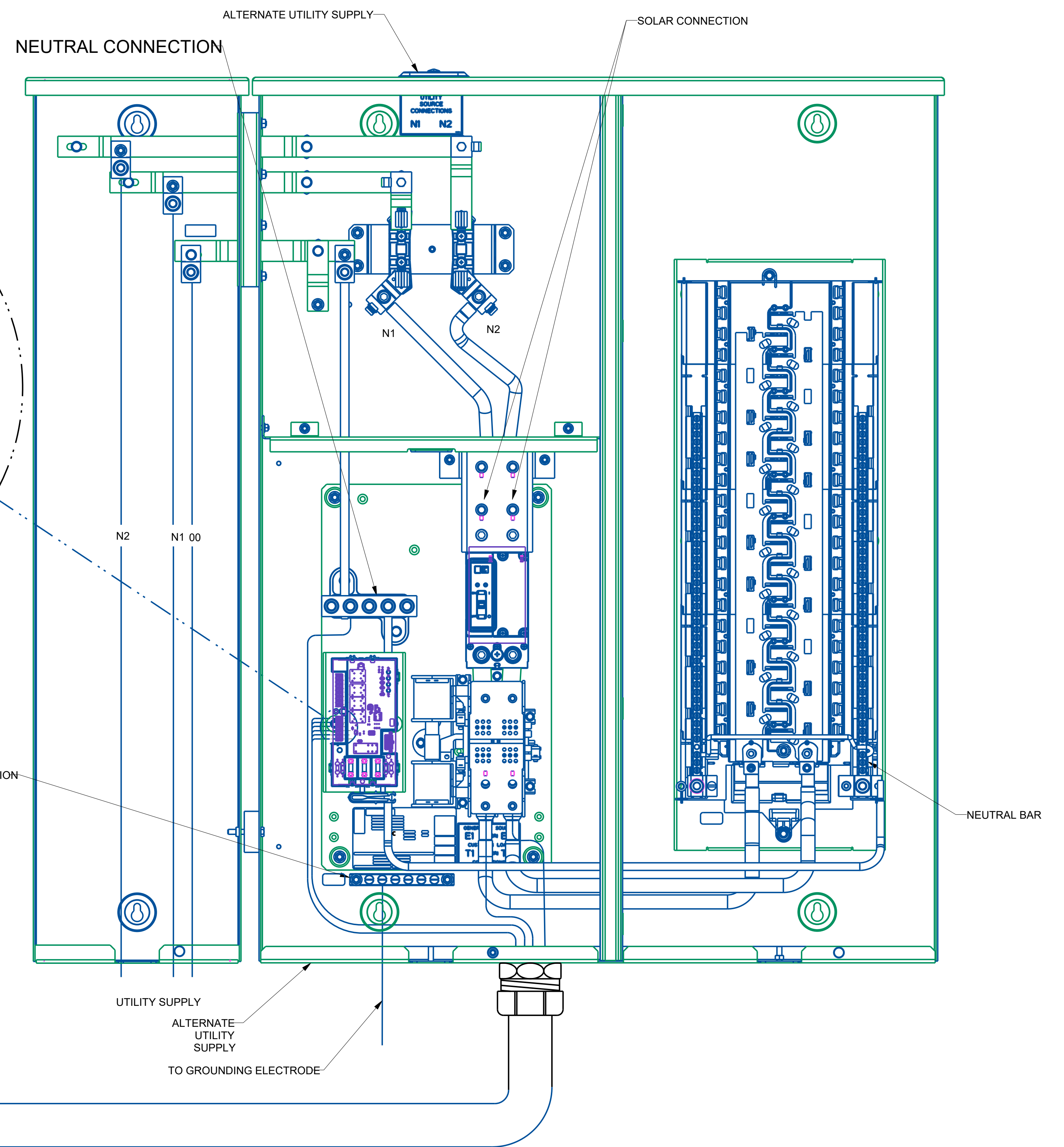
DRAWING CREATED FROM PROENGINEER
3D FILE. ECO MODIFICATION TO BE
APPLIED TO SOLID MODEL ONLY.

| | | | | | |
|--|--|------------------------|---------|---|--------------|
| GENERAL TOLERANCES UNLESS NOTED | | THIRD ANGLE PROJECTION | | GENERAC | |
| INTERPRET DIM AND TOL PER ASME Y14.5M-1994 | | | | TITLE INTERCONNECT METER XFER SW RXGUW | |
| <small>GENERAC POWER SYSTEMS OWNS THE COPYRIGHT OF THIS DRAWING WHICH IS SUPPLIED IN CONFIDENCE AND MUST NOT BE USED FOR ANY PURPOSE OTHER THAN FOR WHICH IT IS SUPPLIED WITHOUT THE EXPRESS WRITTEN CONSENT OF GENERAC POWER SYSTEMS. © 2020 GENERAC POWER SYSTEMS 2013</small> | | | | | |
| APPROVALS | | DATE | | GENERAC MATL SPECIFICATION | |
| DRAWN BY: MMB | | 8/20/20 | | PAINT SURFACE FINISH | |
| ALL APPROVALS ELECTRONICALLY STORED INSIDE WINDCHILL | | | | | |
| LIFECYCLE STATE: | | SIZE | CAGE NO | DWG NO | REV |
| FIRST USE: | | D | N/A | A0000616537 | A |
| | | SCALE | 0.300 | WT-KG | SHEET 1 of 2 |

QT SERIES ENGINE GENERATOR
CONNECTION PANEL



NOTE:
MATCH WIRE NUMBERS
TO TERMINAL NUMBERS



SERVICE ENTRANCE SWITCH INTERCONNECT

DRAWING CREATED FROM PRO/ENGINEER
3D FILE. ECG MODIFICATION TO BE
APPLIED TO SOLID MODEL ONLY.

| | | | | | |
|--|---------|------------------------|-------|----------------------------------|--|
| GENERAL TOLERANCES UNLESS NOTED | | THIRD ANGLE PROJECTION | | TITLE | |
| INTERPRET DIM AND TOL PER ASME Y14.5M-1994 | | | | INTERCONNECT METER XFER SW RXGUW | |
| SIZE | CAGE NO | DWG NO | REV | | |
| D | N/A | A0000616537 | A | | |
| SCALE | 0.300 | WT-KG | SHEET | 2 of 2 | |

